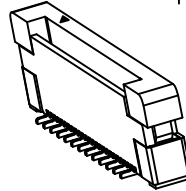


# DRAWING FOR CUSTOMER

NOTES:

- 1.HUOSING: LCP-6808 HIGH-TEMP THERMOPLASTIC UL94V-0 COLOR:BEIGE
- 2.ACTUATOR: PPS-R4 HIGH-TEMP THERMOPLASTIC UL94V-0 COLOR:BLACK
- 3.TERMINAL:PHOSPHOR BRONZE  
PLATING:1\*GOLD FLASH OR 100~150\*<sup>2</sup>TIN(LEAD FREE)  
OVERALL 50~100\*<sup>2</sup>NICKEL UNDER PLATED.
- 4.FITTING NAIL:BRASS  
PLATING:100~150\*<sup>2</sup>TIN(LEAD FREE)  
OVERALL 50~100\*<sup>2</sup>NICKEL UNDER PLATED.



KBF501-XX X S V 200 L 2 A

Pin No.

Version

包裝方式:  
T:TUBE (管裝)  
R:REEL (卷裝)  
P: PE (袋裝)

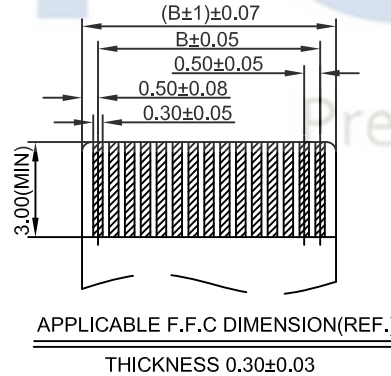
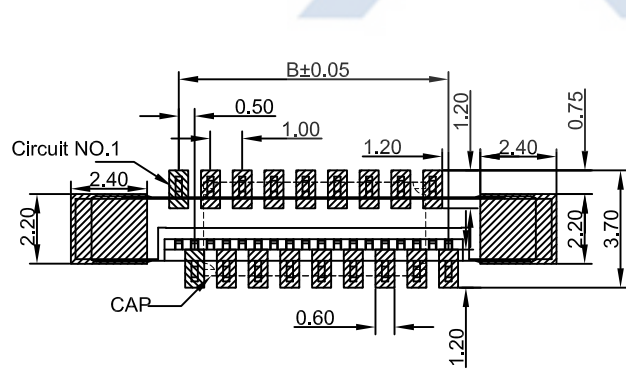
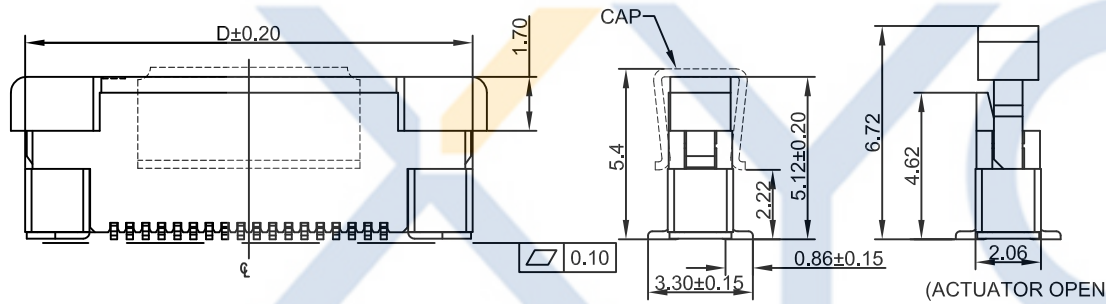
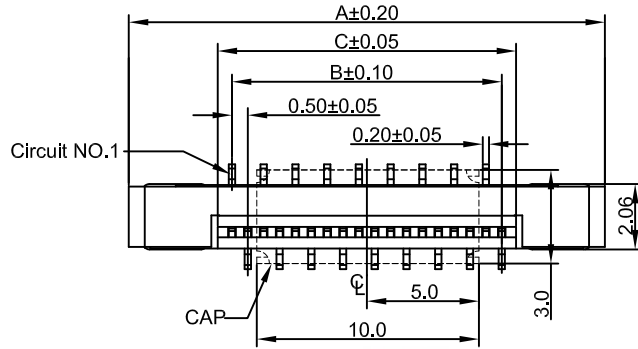
Mold No.  
Connects Type:U:Upper  
L:Lower  
R:Right  
F:Left  
D:Double

S:SMT

H厚度: 1.0mm=100  
1.2mm=120  
1.5mm=150  
2.0mm=200

R:Right Angle

V:Vertical



RECOMMENDED PCB PATTERN DIM.

TOLERANCE:±0.05

No. of contacts	Dimensions				No. of contacts	Dimensions			
	A.	B.	C.	D.		A.	B.	C.	D.
4	8.0	1.5	2.6	7.1	33	22.5	16.0	17.1	21.6
5	8.5	2.0	3.1	7.6	34	23.0	16.5	17.6	22.1
6	9.0	2.5	3.6	8.1	35	23.5	17.0	18.1	22.6
7	9.5	3.0	4.1	8.6	36	24.0	17.5	18.6	23.1
8	10.0	3.5	4.6	9.1	37	24.5	18.0	19.1	23.6
9	10.5	4.0	5.1	9.6	38	25.0	18.5	19.6	24.1
10	11.0	4.5	5.6	10.1	39	25.5	19.0	20.1	24.6
11	11.5	5.0	6.1	10.6	40	26.0	19.5	20.6	25.1
12	12.0	5.5	6.6	11.1	41	26.5	20.0	21.1	25.6
13	12.5	6.0	7.1	11.6	42	27.0	20.5	21.6	26.1
14	13.0	6.5	7.6	12.1	43	27.5	21.0	22.1	26.6
15	13.5	7.0	8.1	12.6	44	28.0	21.5	22.6	27.1
16	14.0	7.5	8.6	13.1	45	28.5	22.0	23.1	27.6
17	14.5	8.0	9.1	13.6	46	29.0	22.5	23.6	28.1
18	15.0	8.5	9.6	14.1	47	29.5	23.0	24.1	28.6
19	15.5	9.0	10.1	14.6	48	30.0	23.5	24.6	29.1
20	16.0	9.5	10.6	15.1	49	30.5	24.0	25.1	29.6
21	16.5	10.0	11.1	15.6	50	31.0	24.5	25.6	30.1
22	17.0	10.5	11.6	16.1	51	31.5	25.0	26.1	30.6
23	17.5	11.0	12.1	16.6	52	32.0	25.5	26.6	31.1
24	18.0	11.5	12.6	17.1	53	32.5	26.0	27.1	31.6
25	18.5	12.0	13.1	17.6	54	33.0	26.5	27.6	32.1
26	19.0	12.5	13.6	18.1	55	33.5	27.0	28.1	32.6
27	19.5	13.0	14.1	18.6	56	34.0	27.5	28.6	33.1
28	20.0	13.5	14.6	19.1	57	34.5	28.0	29.1	33.6
29	20.5	14.0	15.1	19.6	58	35.0	28.5	29.6	34.1
30	21.0	14.5	15.6	20.1	59	35.5	29.0	30.1	34.6
31	21.5	15.0	16.1	20.6	60	36.0	29.5	30.6	35.1
32	22.0	15.5	16.6	21.1	61	36.5	30.0	31.1	35.6

## XYCO PRECISION CONNECTORS

TEL: 0769-8297 9981/2/3 <http://www.XYCO.com.cn>

2015-04-28		A			KBF501-XXXSV200L2A	John	TOLERANCE 公差		DRAWING 設計者	John	KBF501-XXXSV200L2A	
DATE 日期	VER 版本	CHANGE HISTORY 變更歷史	CHANGED NAME 修改後料號	DRAWING 變更者			.X=±0.30 .XX=±0.20 .XXX=±0.10	CHECKED 審查	Thomas		PART NO. 料號	UNIT 單位
								APPROVED 核准	William		DWG NO. 圖號	mm
1	2	3	4	5	6	7	8	9	10	11	12	13

PRODUCT NAME 產品名稱		0.5 ZIF FPC CONN.SMT R/A LEFT CONTACT	
-------------------	--	--	--