

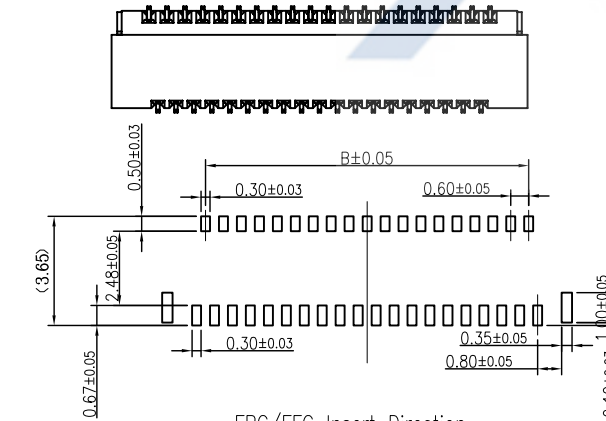
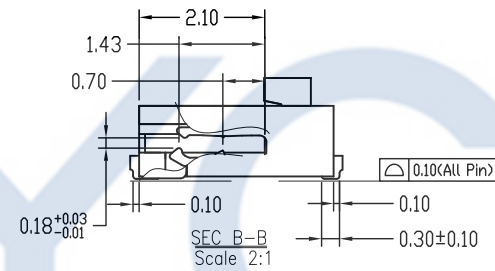
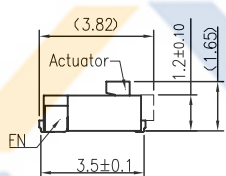
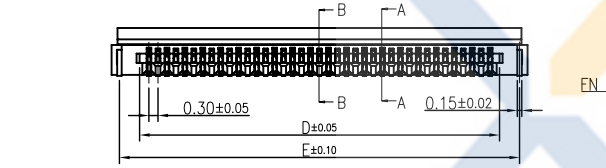
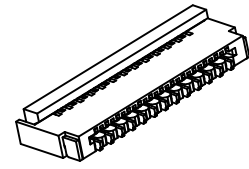
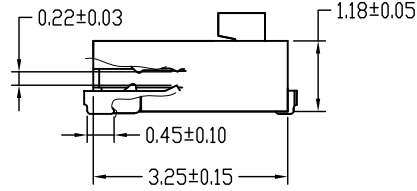
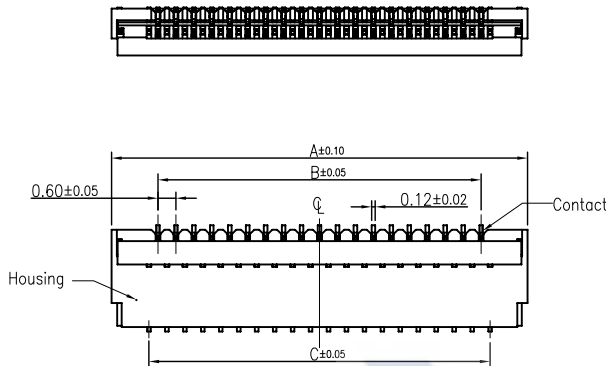
DRAWING FOR CUSTOMER

NOTES:

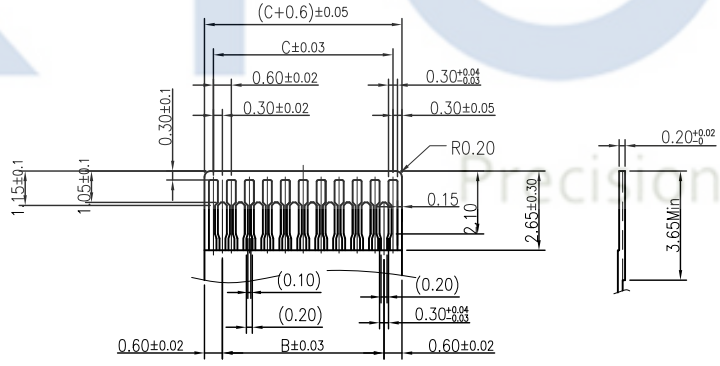
- HUOSINGT:HIGH-TEMP THERMOPLASTIC UL94V-0
COLOR:BEIGE
- ACTUATOR:HIGH-TEMP THERMOPLASTIC UL94V-0
COLOR:BLACK
- TERMINAL:COPPER ALLOY
PLATING:GOLD FLASH OR MATTE-TIN OR TIN (LEAD FREE)
- FITTING NAIL:COPPER ALLOY
PLATING:MATTE-TIN OR TIN (LEAD FREE)

KBF301-XX X S R 100 D 2 A

Pin No.	X	S	R	100	D	2	A	Version
包裝方式:								Mold No.
T:TUBE (管裝)								Connects Type:U:Upper
R:REEL (卷裝)								L:Lower
P: PE (袋裝)								R:Right
								F:Left
								D:Double
S:SMT								H厚度: 1.0mm=100
								1.2mm=120
R:Right Angle								1.5mm=150
V:Vertical								2.0mm=200



FPC/FPC Insert Direction
Recommended P.C.B Layout



Applicable FPC

No. of Contacts	Dimension				
	A	B	C	D	E
13	6.10	3.00	3.60	4.23	5.57
15	6.70	3.60	4.20	4.83	6.17
17	7.30	4.20	4.80	5.43	6.77
19	7.90	4.80	5.40	6.03	7.37
21	8.50	5.40	6.00	6.63	7.97
23	9.10	6.00	6.60	7.23	8.57
25	9.70	6.60	7.20	7.83	9.17
27	10.30	7.20	7.80	8.43	9.77
29	10.90	7.80	8.40	9.03	10.37
31	11.50	8.40	9.00	9.63	10.97
33	12.10	9.00	9.60	10.23	11.57
35	12.70	9.60	10.20	10.83	12.17
37	13.30	10.20	10.80	11.43	12.77
39	13.90	10.80	11.40	12.03	13.37
41	14.50	11.40	12.00	12.63	13.97
45	15.70	12.60	13.20	13.83	15.17
49	16.90	13.80	14.40	15.03	16.37
51	17.50	14.40	15.00	15.63	16.97
57	19.30	16.20	16.80	17.43	18.77
61	20.50	17.40	18.00	18.63	19.97
67	22.30	19.20	19.80	20.43	21.77
71	23.50	20.40	21.00	21.63	22.97
73	24.10	21.00	21.60	22.23	23.57

XYCO PRECISION CONNECTORS

TEL: 0769-8297 9981/2/3 <http://www.XYCO.com.cn>

2015-04-28	A		KBF301-XXXSR100D2A	John	TOLERANCE 公差	DRAWING 設計者	John	KBF301-XXXSR100D2A	
DATE 日期	VER 版本	CHANGE HISTORY 變更歷史	CHANGED NAME 修改後料號	DRAWING 變更者	.X=±0.30 .XX=±0.20 .XXX=±0.10	CHECKED 審查	Thomas	PART NO. 料號	UNIT 單位
						APPROVED 核准	William	DWG NO. 圖號	mm
								PE1904008A	PRODUCT NAME 產品名稱

0.3mm BACK-FLIP SMT CONNECTOR