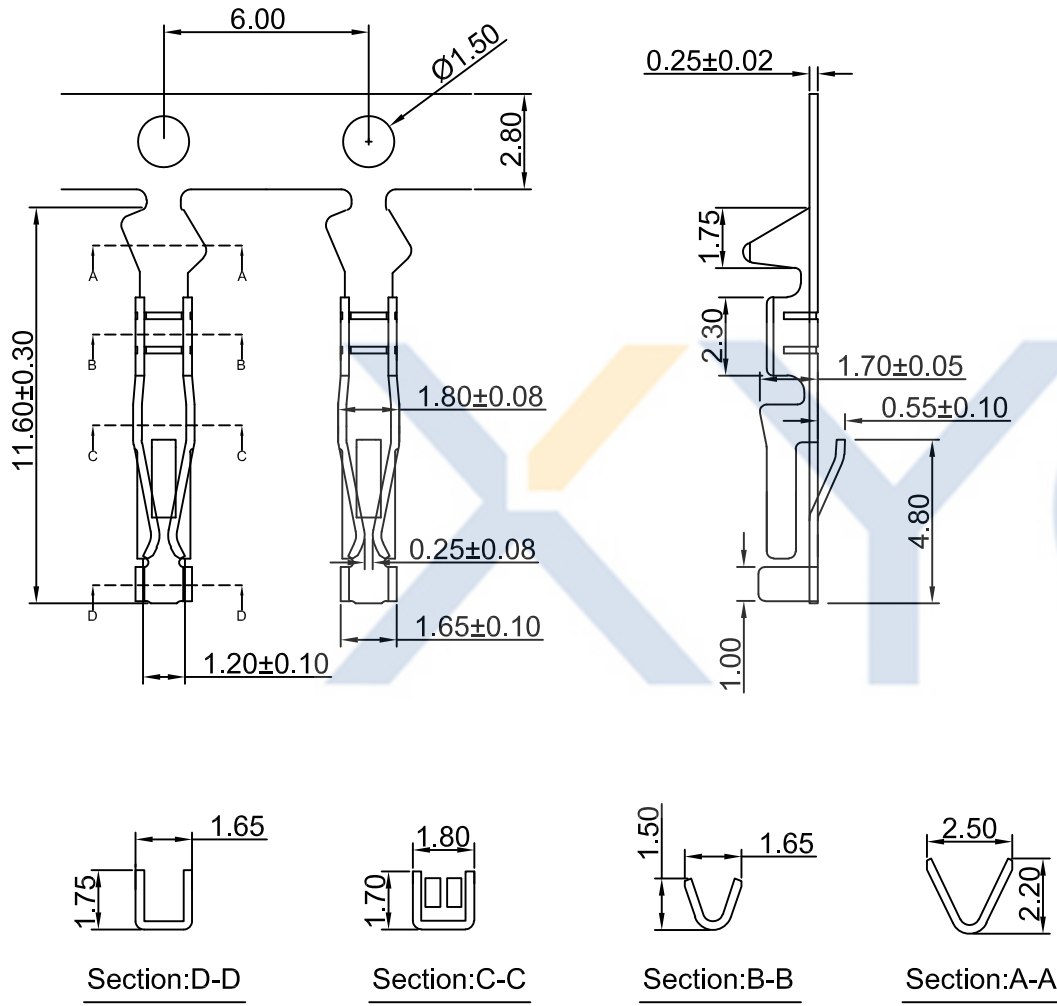


DRAWING FOR CUSTOMER



■SPEC.:

- Voltage Rating: 250V AC/DC
- Current Rating: 3A AC/DC
- Dielectric Strength : 1500V AC/minute
- Contact Resistance: 20mΩ max
- Insulation Resistance: 1000MΩ min
- Temperature Range: -25°C to +85°C

■Material:

- Terminal: Phosphor Bronze
- Finish: Gold plated/Tin plated Over Ni Plated
- Applicable wire: AWG#22~28
- QTY.: 10KPCS/Reel

KB9510-XXXT6A

1: All plated
2: Half plated

Plating

- 0: Tin-plat
- 1: Gold Plat1u"
- 2: Gold Plat3u"
- 3: Gold Plat5u"

Version

Mold No.

Terminal

XYCO 东莞市轩业电子科技有限公司
TEL: 0769-8297 9981/2/3 <http://www.XYCO.com.cn>

2015-06-11		A	CHANGE HISTORY 變更歷史	KB9510-XXXT6A	Devin	TOLERANCE 公差	DRAWING 設計者	Devin	KB9510-XXXT6A		UNIT 單位		PRODUCT NAME 產品名稱	PH2.54mm Wire To Board Terminal
DATE 日期	VER 版本	CHANGED NAME 修改後料號				DRAWING 變更者	.X=±0.30 .XX=±0.20 .XXX=±0.10	CHECKED 審查	Thomas	PART NO. 料號	mm			
							APPROVED 核准	William	DWG NO. 圖號	PE191202A				