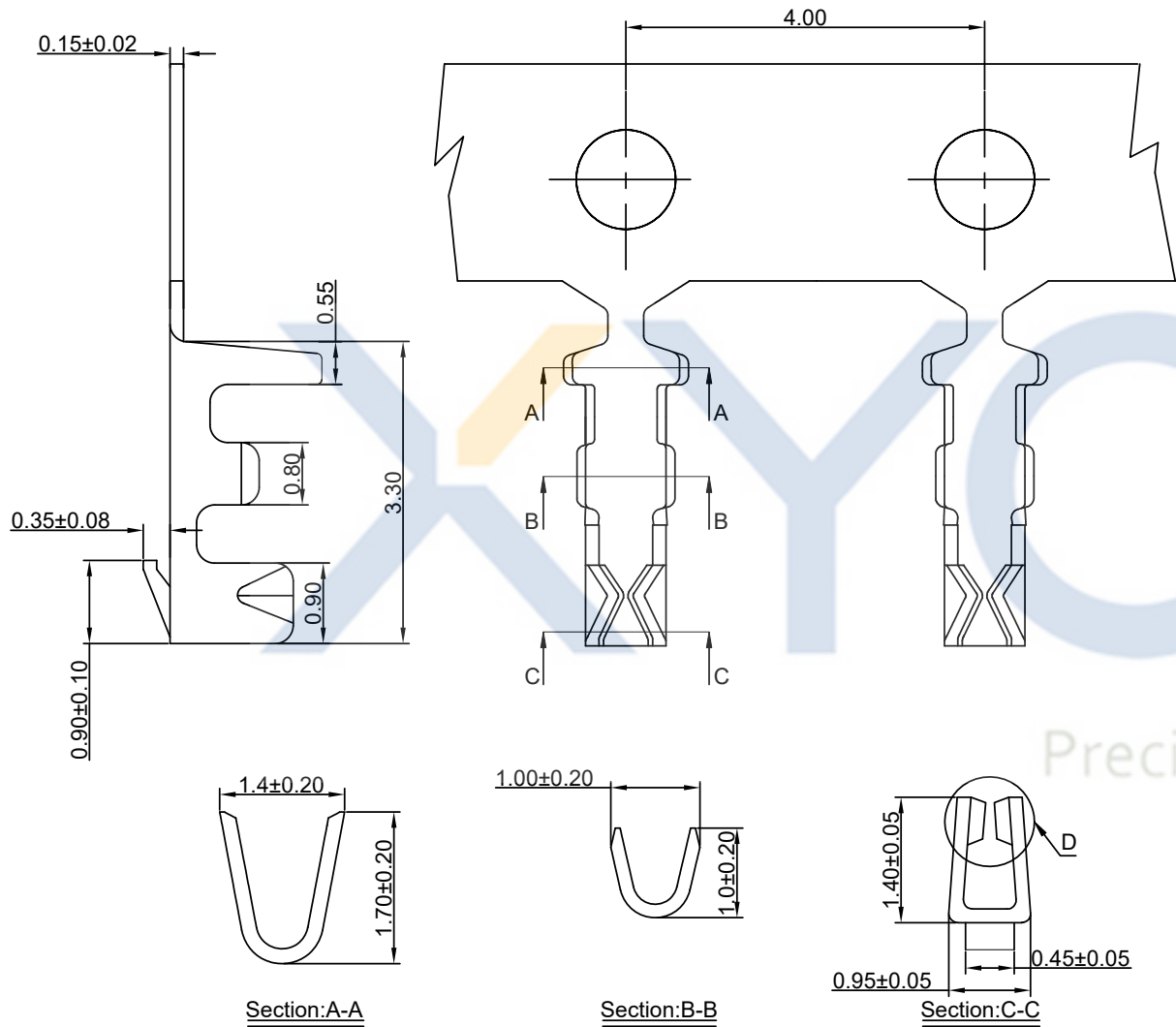


DRAWING FOR CUSTOMER



- SPEC.:
- Rated Voltage:125V AC,DC
 - Rated Current:1A AC,DC
 - Withstand Voltage:500V AC/minute
 - Contact Resistance:20mΩ max
 - Insulation Resistance:100MΩ min
 - Temperature Range:-25℃~+85℃

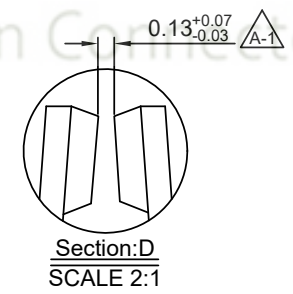
- Terminal
- Material:Phosphor Bronze C5191
 - Finish:Tin-plated; Over Nickel
 - Applicable wire:AWG#26~32
Insulation OD:1.0mm Max
 - QTY.:20KPCS/Reel

KB915-XXXT1A

1:All plated
2:Half plated

Plating
0: Tin-plated
1: Gold Flash
2: Gold Plated3u"
3: Gold Plated5u"

Version
Mold No.
Terminal



XYCO 东莞市轩业电子科技有限公司
TEL: 0769-8297 9981/2/3 <http://www.XYCO.com.cn>

2019-09-21	A-1	调整夹口尺寸公差	KB915-XXT1A	Devin	TOLERANCE 公差	DRAWING 設計者	Devin	KB915-XXT1A	
2014-11-01	A		KB915-XXT1A	Devin	.X=±0.30 .XX=±0.20 .XXX=±0.10	CHECKED 審查	Thomas	PART NO. 料號	
DATE 日期	VER 版本	CHANGE HISTORY 變更歷史	CHANGED NAME 修改後料號	DRAWING 變更者		APPROVED 核准	William	DWG NO. 圖號	PE3106A

UNIT 單位	mm	PRODUCT NAME 產品名稱	51021 PH1.25mm Wire To Board Terminal
------------	----	----------------------	--