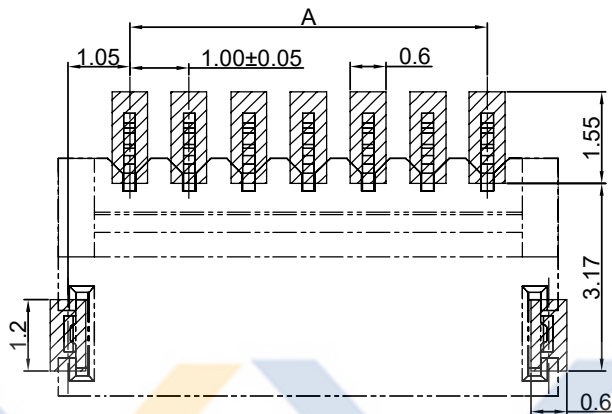
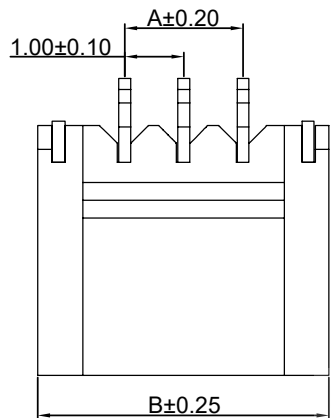
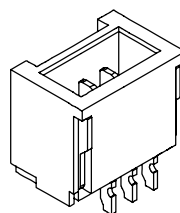
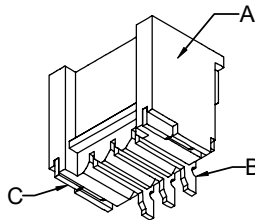
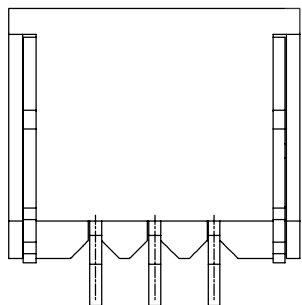
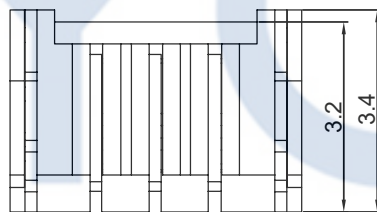
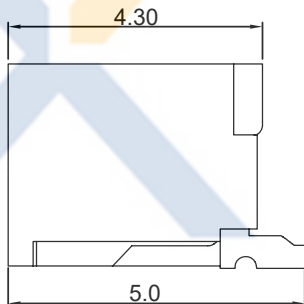
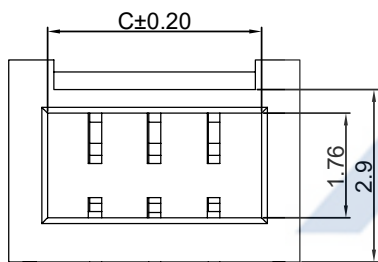


# DRAWING FOR CUSTOMER



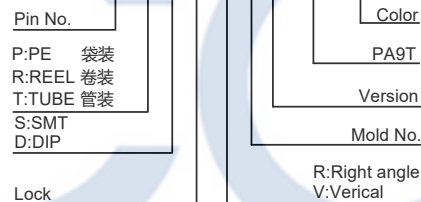
RECOMMENDED P.C.B LAYOUT  
TOLERANCE UNSPECIFIED ±0.05mm



- SPEC.:
- Rated Voltage: 50V AC,DC
  - Rated Current: 1A
  - Withstand Voltage: 500V AC/minute
  - Contact Resistance: 20mΩ max
  - Insulation Resistance: 100MΩ min
  - Temperature Range: -25°C~+85°C

- Material:
- Insulator(A): P1-PA9T, UL94V-0  
Color:NAT-Nature
  - Contact Pin(B): Phosphor Bronze or Brass  
Finish: Tin-Plated, over Nickel
  - Solder Tab(C): Phosphor Bronze or Brass  
Finish: Tin-Plated, over Nickel

KB9902-XXXSLR3A-P1-NAT



Poles	Dimensions(mm)		
	A	B	C
02	1.00	3.90	2.50
03	2.00	4.90	3.50
04	3.00	5.90	4.50
05	4.00	6.90	5.50
06	5.00	7.90	6.50
07	6.00	8.90	7.50
08	7.00	9.90	8.50
09	8.00	10.90	9.50
10	9.00	11.90	10.50
11	10.00	12.90	11.50
12	11.00	13.90	12.50
13	12.00	14.90	13.50
14	13.00	15.90	14.50
15	14.00	16.90	15.50
16	15.00	17.90	16.50
17	16.00	18.90	17.50
18	17.00	19.90	18.50
19	18.00	20.90	19.50
20	19.00	21.90	20.50

**XYCO** 东莞市轩业电子科技有限公司  
TEL: 0769-8297 9981/2/3 http://www.XYCO.com.cn

2014-03-07		A		KB9902-XXXSLR3A-P1-NAT	Devin	TOLERANCE 公差	DRAWING 設計者	Devin	KB9902-XXXSLR3A-P1-NAT	
DATE 日期	VER 版本	CHANGE HISTORY 變更歷史	CHANGED NAME 修改後料號	DRAWING 變更者		.X=±0.30 .XX=±0.20 .XXX=±0.10	CHECKED 審查	Thomas	PART NO. 料號	UNIT 單位
							APPROVED 核准	William	DWG NO. 圖號	mm
									PE1808010A	PRODUCT NAME 產品名稱

NH PH1.00mm Wire To Board  
SMT Right Angle Wafer