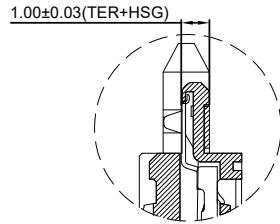
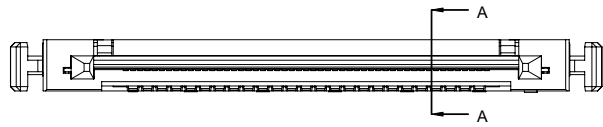
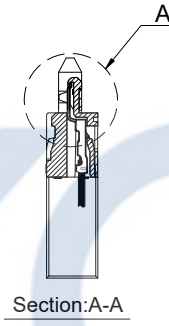
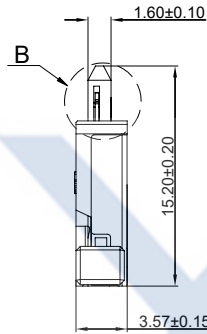
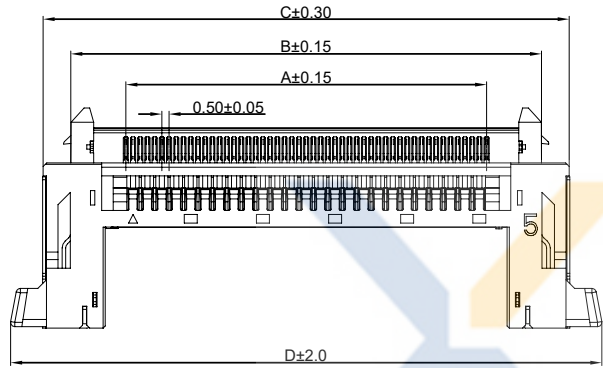
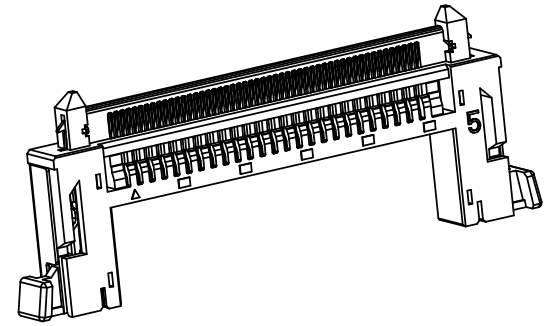


# DRAWING FOR CUSTOMER



A  
2:1



Section:A-A

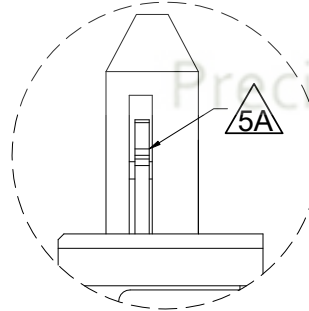
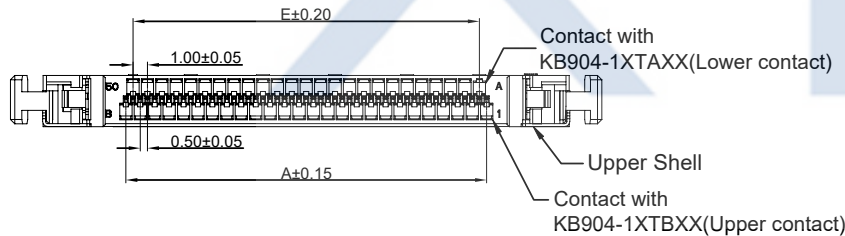
■SPEC.:

- Rated Voltage:200V AC,DC
- Rated Current:0.8A AC,DC
- Withstand Voltage:500V AC/minute
- Contact Resistance:40mΩ max
- Insulation Resistance:100MΩ min
- Temperature Range:-40℃~+85℃

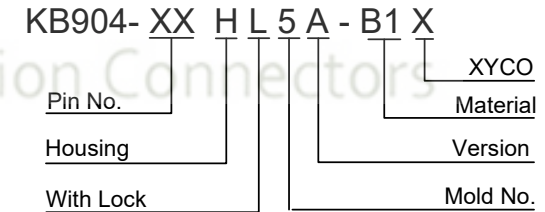
■Material:

- Insulator:PA66 UL94V-0
- Color:Black
- Upper Shell:Stainless Steel
- Latch:Stainless Steel

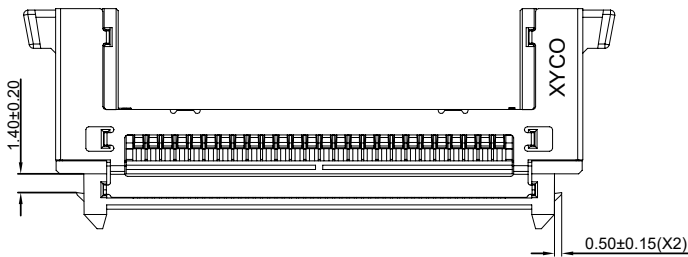
卡钩专利号:  
CN214204167U



B  
2:1



Dimension	A	B	C	D	E
51 pin	25.00	32.65	36.50	40.60	24.00
41 pin	20.00	27.65	31.50	35.60	19.00



DATE	VER	CHANGE HISTORY	CHANGED NAME	DRAWING
日期	版本	變更歷史	修改後料號	變更者
2023-06-25	A	新版发行, 小卡钩	KB904-XXHL5A-B1X	Devin

TOLERANCE	DRAWING	Devn	KB904-XXHL5A-B1X
公差	設計者		
.X=±0.30	CHECKED	Thomas	PART NO. 料號
.XX=±0.20	審查		UNIT 單位
.XXX=±0.10	APPROVED	William	mm
	核准		PRODUCT NAME
			產品名稱

**XYCO** 东莞市轩业电子科技有限公司  
TEL: 0769-8297 9981/2/3 http://www.XYCO.com.cn

DWG NO.	PE230705A	FI-RE PH0.5mm Wire To Board
Housing with lock		