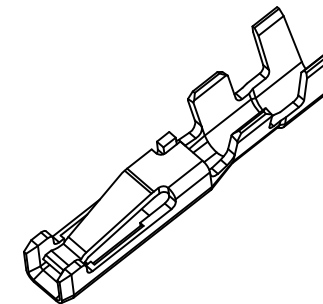
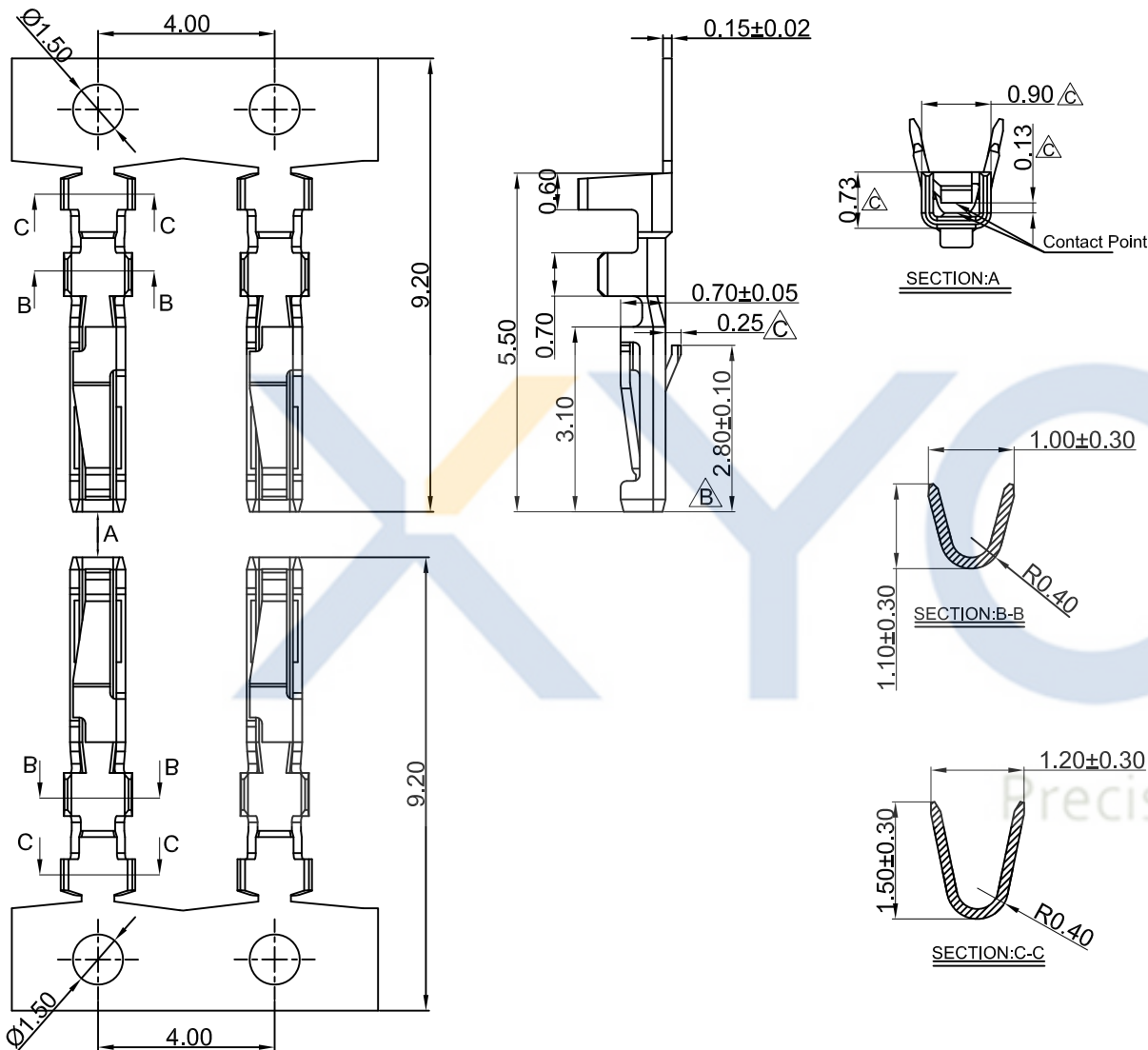


DRAWING FOR CUSTOMER



- SPEC.:
- Rated Voltage:125V AC,DC
 - Rated Current:1A AC,DC
 - Withstand Voltage:250V AC/minute
 - Contact Resistance:20mΩ max
 - Insulation Resistance:100MΩ min
 - Temperature Range:-25℃~+85℃

- Terminal:
- Material:Phosphor Bronze C5191
 - Finish:Gold-plated ,over Nickel
 - Applicable wire:AWG#28~32
 - QTY.:20KPCS/Reel

KB916-X X T 1 C

- | | |
|-------------------|----------|
| 1:All plated | Version |
| 2:Half plated | |
| Plating | Terminal |
| 0: Tin-plated | |
| 1: Gold Flash | |
| 2: Gold Plated3u" | Mold No. |
| 3: Gold Plated5u" | |

2017-03-04	C	优化尺寸	KB916-XXT1C	Devin
2016-10-18	B	变更尺寸公差	KB916-XXT1B	Devin
2015-12-21	A		KB916-XXT1A	Devin
DATE 日期	VER 版本	CHANGE HISTORY 变更历史	CHANGED NAME 修改后料号	DRAWING 变更者

TOLERANCE 公差	DRAWING 设计者	Devin	KB916-XXT1C	
.X=±0.30 .XX=±0.20 .XXX=±0.10	CHECKED 审查	Thomas	PART NO. 料号	
	APPROVED 核准	William	DWG NO. 图号	PE3205A

XYCO 东莞市轩业电子科技有限公司
 TEL: 0769-8297 9981/2/3 http://www.XYCO.com.cn

UNIT 单位	mm	PRODUCT NAME 产品名称	51146 PH1.25mm Wire To Board Terminal
------------	----	----------------------	------------------------------------------