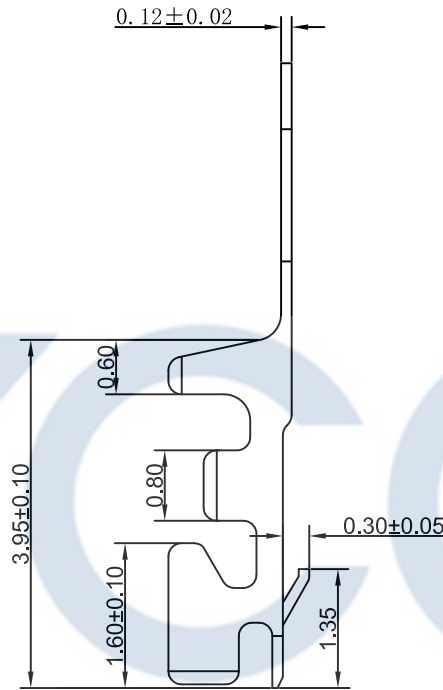
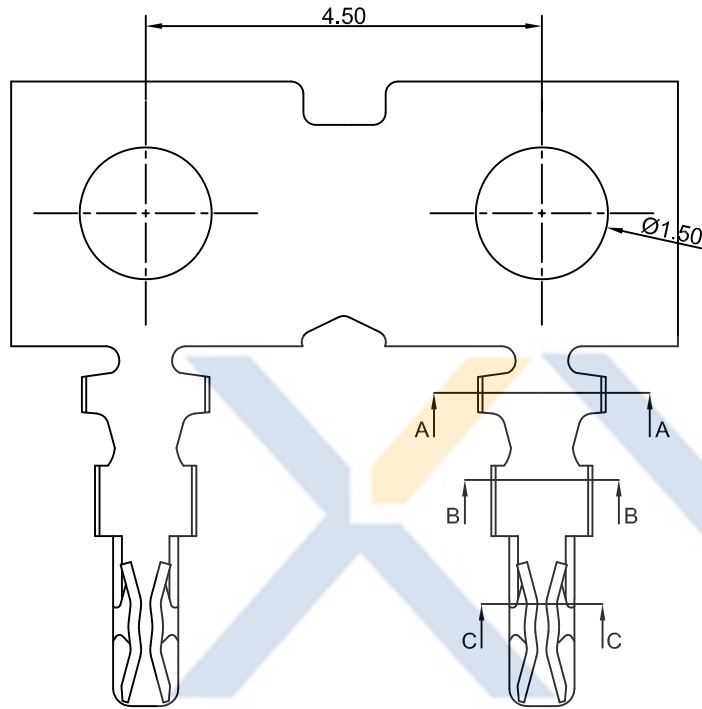


DRAWING FOR CUSTOMER



- SPEC.:
- Rated Voltage:50V AC,DC
 - Rated Current:1A AC,DC
 - Withstand Voltage:500V AC/minute
 - Contact Resistance:20mΩ max
 - Insulation Resistance:100MΩ min
 - Temperature Range:-25℃~+85℃

- Terminal:
- Material:Phosphor Bronze
 - Finish:Tin/Gold-plated,over Nickel
 - Applicable wire:AWG#28~32
 - QTY.:20KPCS/Reel

KB901-XXXT1A

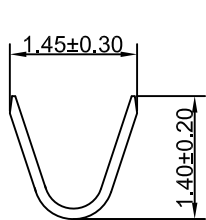
- 1:All plated
- 2:Half plated

- Plating
- 0: Tin-plat
 - 1: Gold Flash
 - 2: Gold Plat3u"
 - 3: Gold Plat5u"

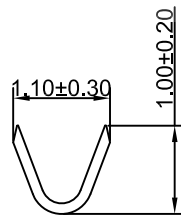
Version

Mold No.

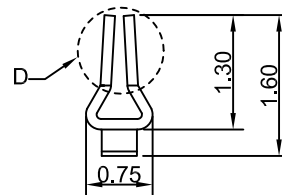
Terminal



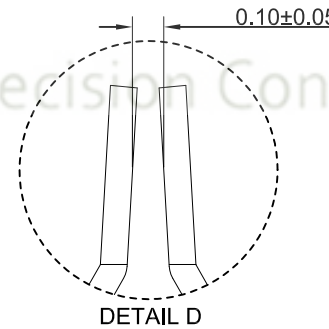
Section:A-A



Section:B-B



Section:C-C



DETAIL D

XYCO 东莞市轩业电子科技有限公司
TEL: 0769-8297 9981/2/3 http://www.XYCO.com.cn

DATE 日期	VER 版本	CHANGE HISTORY 變更歷史	CHANGED NAME 修改後料號	DRAWING 變更者	TOLERANCE 公差 .X=±0.30 .XX=±0.20 .XXX=±0.10	DRAWING 設計者 CHECKED 審查 APPROVED 核准	Devin Thomas William	KB901-XXT1A	PART NO. 料號	UNIT 單位	mm	PRODUCT NAME 產品名稱	SH1.0mm Wire To Board Terminal
2013-08-10	A		KB901-XXT1A	Devin									

DWG NO. 圖號	PE2006A	UNIT 單位	mm	PRODUCT NAME 產品名稱	SH1.0mm Wire To Board Terminal
---------------	---------	------------	----	----------------------	-----------------------------------