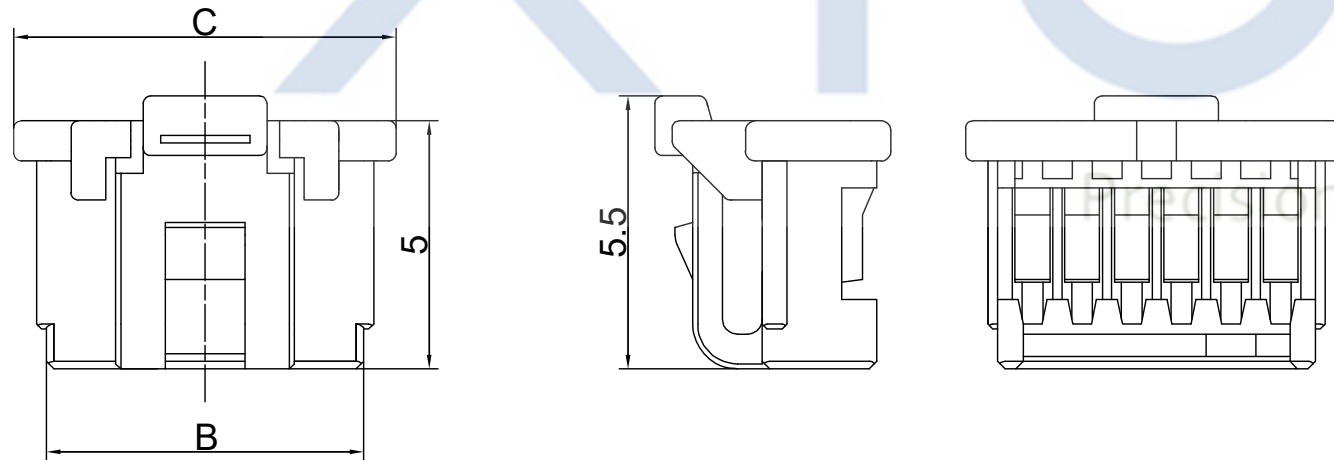
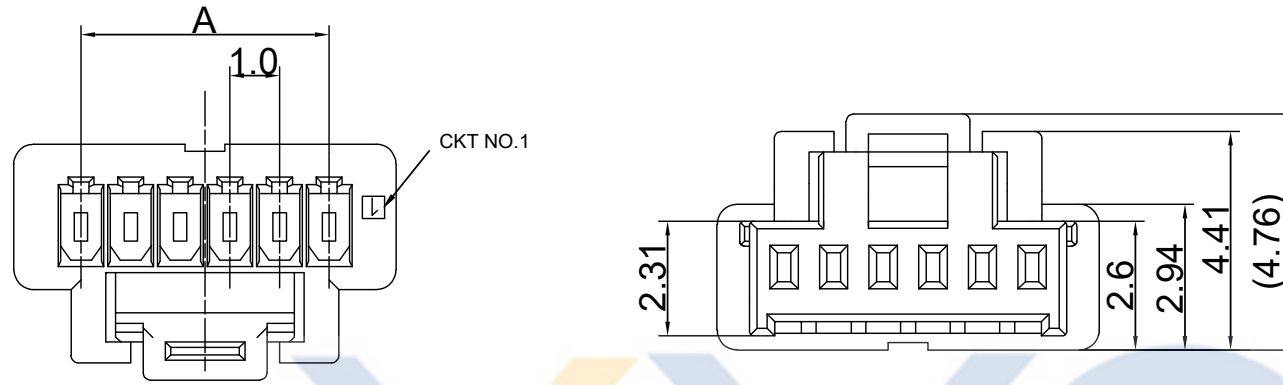


DRAWING FOR CUSTOMER

- SPEC.:
- Rated Voltage:50V AC,DC
 - Rated Current:1A AC,DC
 - Withstand Voltage:250V AC/minute
 - Contact Resistance:20mΩ max
 - Insulation Resistance:100MΩ min
 - Temperature Range:-25℃~+85℃

- Material :
- Insulator:PA66 UL94-V0
 - Color:White

KB9907-XXHL4A



Poles	Dimensions (mm)		
	A	B	C
06	5.0	6.4	7.7
07	6.0	7.4	8.7
08	7.0	8.4	9.7
09	8.0	9.4	10.7
10	9.0	10.4	11.7
11	10.0	11.4	12.7
12	11.0	12.4	13.7
13	12.0	13.4	14.7
14	13.0	14.4	15.7
15	14.0	15.4	16.7

XYCO 东莞市轩业电子科技有限公司
TEL: 0769-8297 9981/2/3 http://www.XYCO.com.cn

DATE 日期	VER 版本	CHANGE HISTORY 變更歷史	CHANGED NAME 修改後料號	DRAWING 變更者	TOLERANCE 公差 .X=±0.30 .XX=±0.20 .XXX=±0.10	DRAWING 設計者 CHECKED 審查 APPROVED 核准	Devin Thomas William	KB9907-XXHL4A PART NO. 料號
2015-09-13	A		KB9907-XXHL4A	Devin				DWG NO. 圖號 PE1712004A

UNIT 單位	mm	PRODUCT NAME 產品名稱	501330 PH1.00mm Wire To Board Housing With Lock
------------	----	----------------------	--