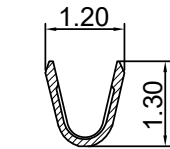
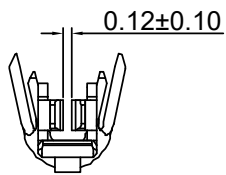
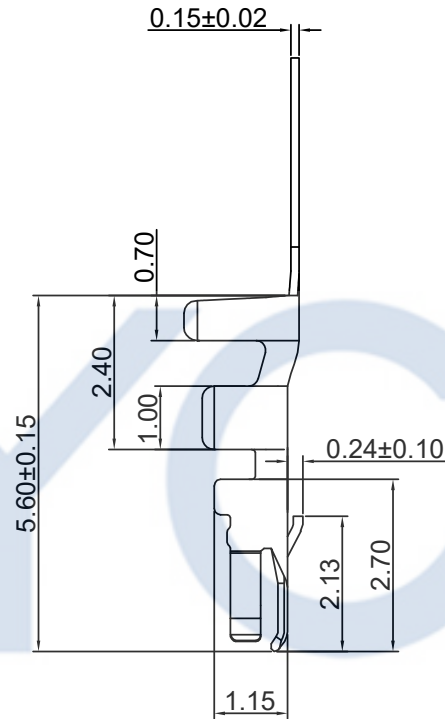
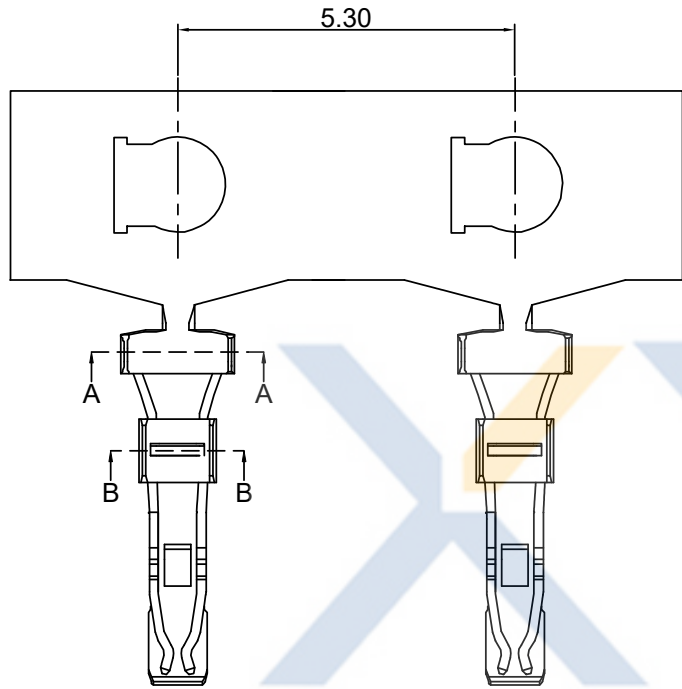
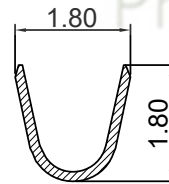


DRAWING FOR CUSTOMER



Section:B-B



Section:A-A

■SPEC.:

- Rated Voltage:150V AC,DC
- Rated Current:3A AC,DC(AWG24#)
- Withstand Voltage:500V AC/minute
- Contact Resistance:40mΩ max
- Insulation Resistance:1000MΩ min
- Temperature Range:-25℃~+85℃

■Terminal:

- Material:Phosphor Bronze
- Finish:Gold-plated,over Nickel
- Applicable wire:AWG#24~28
- QTY.:15KPCS/Plate

XY15002-X X T 2 A

1:All plated
2:Half plated

Plating

- 0: Tin-plat
- 1: Gold Flash
- 2: Gold Plat3u"
- 3: Gold Plat5u"

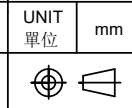
Version

Mold No.

Terminal

XYCO 东莞市轩业电子科技有限公司
TEL: 0769-8297 9981/2/3 <http://www.XYCO.com.cn>

DATE 日期	VER 版本	CHANGE HISTORY 變更歷史	CHANGED NAME 修改後料號	DRAWING 變更者	TOLERANCE 公差 .X=±0.30 .XX=±0.20 .XXX=±0.10	DRAWING 設計者 CHECKED 審查 APPROVED 核准	Devin Thomas William	XY15002-XXT2A
2019-09-17	A		XY15002-XXT2A	Devin				PART NO. 料號
								DWG NO. 圖號
								PE190906A



UNIT
單位
mm

PRODUCT NAME
產品名稱
504052 PH1.50mm Wire To Board Terminal