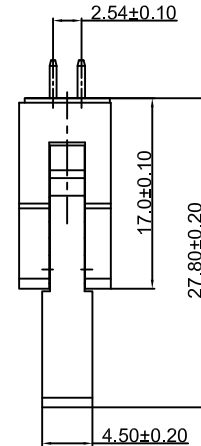
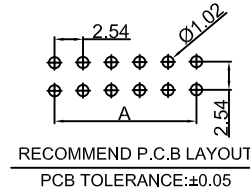
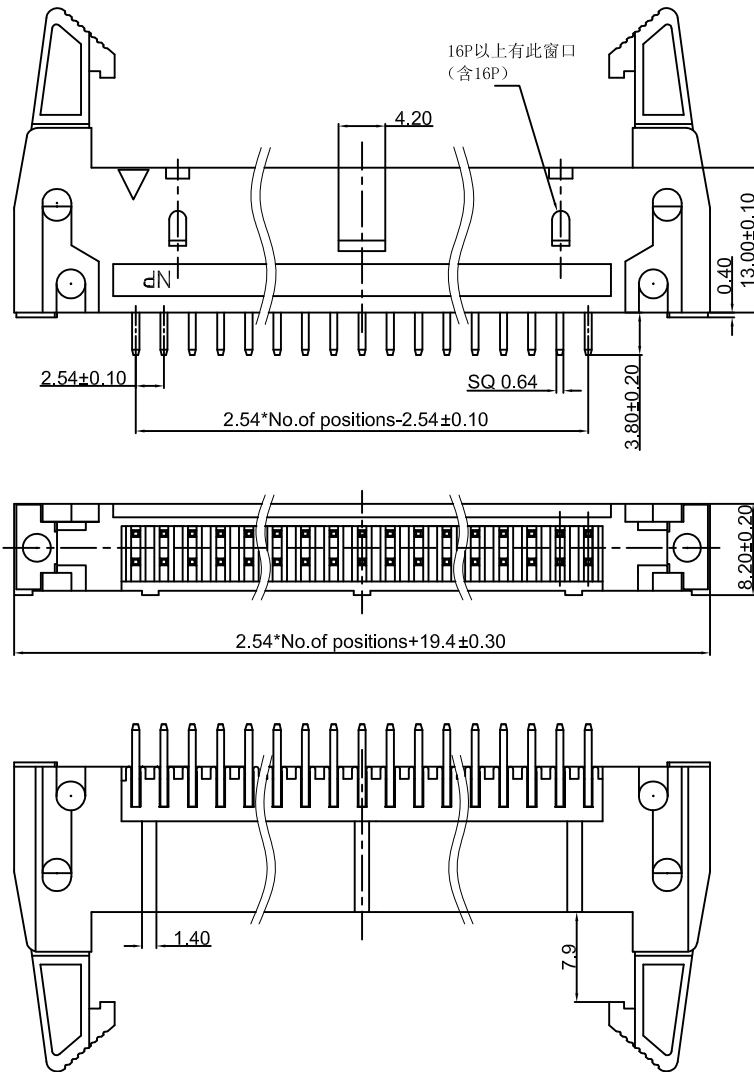


DRAWING FOR CUSTOMER

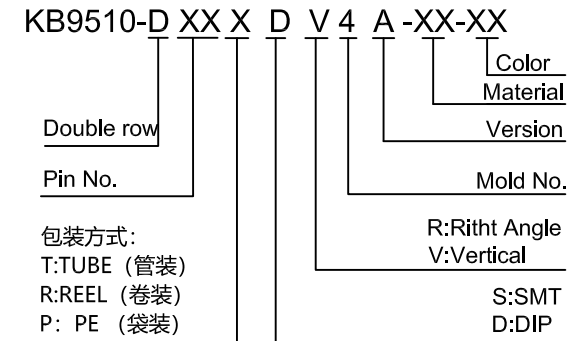


■SPEC.:

- Rated Voltage: 250V AC,DC
- Rated Current: 3A AC,DC
- Withstand Voltage: 1000V AC/minute
- Contact Resistance: 20mΩ max
- Insulation Resistance: 1000MΩ min
- Temperature Range: -40°C~+105°C

■Material :

- Insulator(A): P7-PBT UL94V-0
Color: BK-Black
- Contact Pin(B): Brass
- Finish: Gold-Plated, over Nickel
- Max. Processing Temp: 240°C for 30-60seconds
(260°C for 5seconds)



2016-05-16	A		KB9510-DXXXDV4A-XX-XX	Devin
DATE 日期	VER 版本	CHANGE HISTORY 變更歷史	CHANGED NAME 修改後料號	DRAWING 變更者

TOLERANCE 公差	DRAWING 設計者	Devin
.X=±0.30 .XX=±0.20 .XXX=±0.10	CHECKED 審查	Thomas
	APPROVED 核准	William

KB9510-DXXXDV4A-XX-XX	
PART NO. 料號	
DWG NO. 圖號	PE2211005A

XYCO 东莞市轩业电子科技有限公司
TEL: 0769-8297 9981/2/3 <http://www.XYCO.com.cn>

UNIT 單位	mm	PRODUCT NAME 產品名稱	2.54mm DC 2*nP DIP Vertical Double row Wafer H17 PC3.8
------------	----	----------------------	---