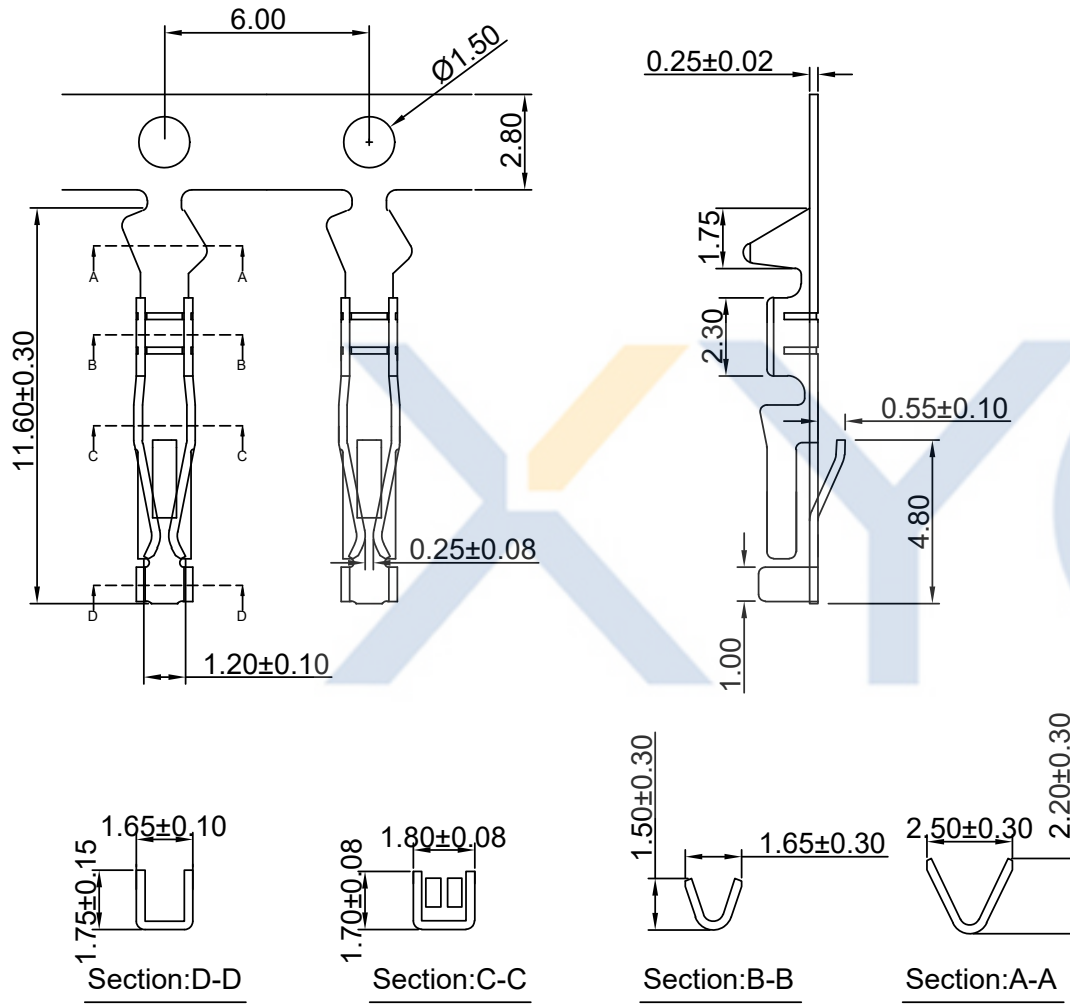


# DRAWING FOR CUSTOMER



## ■SPEC.:

- Voltage Rating:250V AC/DC
- Current Rating:3A AC/DC
- Dielectric Strength :1500V AC/minute
- Contact Resistance:20mΩ max
- Insulation Resistance:1000MΩ min
- Temperature Range:-25°C to+85°C

## ■Material:

- Terminal:Phosphor Bronze
- Finish:Gold plated/Tin plated Over Ni Plated
- Applicable wire:AWG#22~28
- QTY.:10KPCS/Reel

**KB9510-XXT6A**

1:All plated  
2:Half plated

### Plating

- 0: Tin-plat
- 1: Gold Flash
- 2: Gold Plat3u"
- 3: Gold Plat5u"

Version

Mold No.

Terminal

**XYCO** 东莞市轩业电子科技有限公司  
TEL: 0769-8297 9981/2/3 <http://www.XYCO.com.cn>

2015-06-11		A	KB9510-XXT6A		Devin	KB9510-XXT6A		UNIT		PRODUCT NAME		PH2.54mm Wire To Board Terminal
DATE	VER	CHANGE HISTORY	CHANGED NAME	DRAWING	TOLERANCE	DRAWING	PART NO.	料號	單位	mm	產品名稱	
日期	版本	變更歷史	修改後料號	變更者	.X=±0.30 .XX=±0.20 .XXX=±0.10	設計者	料號	圖號	mm			
						Devin	PE191202A					
						Thomas						
						William						