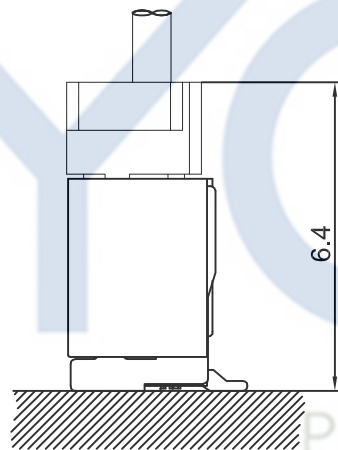
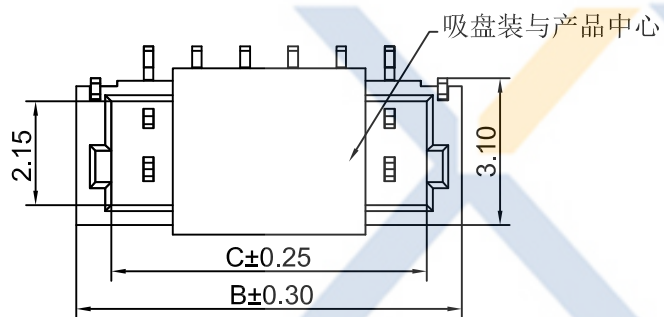
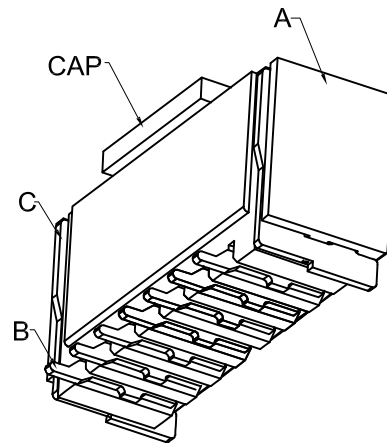
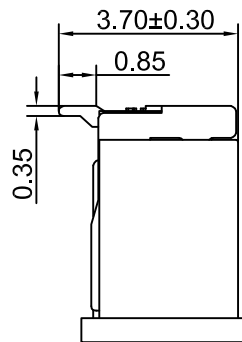
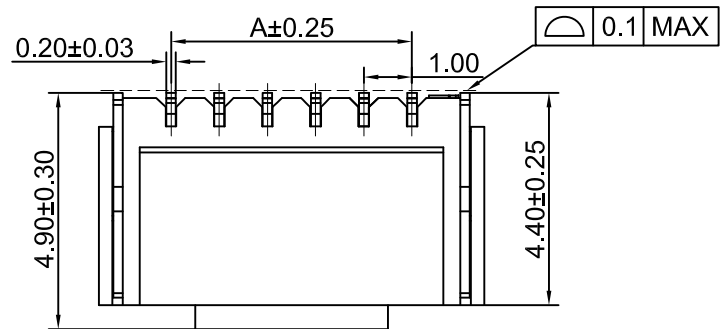


DRAWING FOR CUSTOMER



Assembly Layout

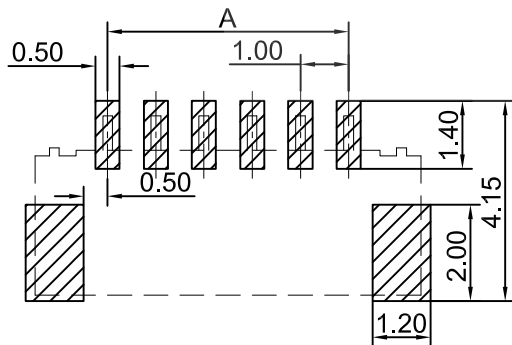
■SPEC.:

- Rated Voltage: 50V AC,DC
- Rated Current: 1.0A
- Withstand Voltage: 500V AC/minute
- Contact Resistance: 20mΩ max
- Insulation Resistance: 100MΩ min
- Temperature Range: -25°C~+105°C

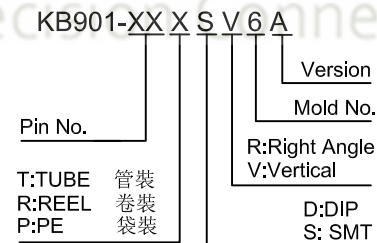
■Material:

- Material(A): LCP UL94V-0
- Contact PIN(B): Phosphor Bronze
Finish:Matted Sn-Plated,over Nickel
- Solder Tab(C):Phosphor Bronze
Finish:Matted Sn-Plated,over Nickel

Poles	Dimensions(mm)		
	A	B	C
02	1.00	4.00	2.55
03	2.00	5.00	3.55
04	3.00	6.00	4.55
05	4.00	7.00	5.55
06	5.00	8.00	6.55
07	6.00	9.00	7.55
08	7.00	10.00	8.55
09	8.00	11.00	9.55
10	9.00	12.00	10.55
11	10.00	13.00	11.55
12	11.00	14.00	12.55
13	12.00	15.00	13.55
14	13.00	16.00	14.55
15	14.00	17.00	15.55
16	15.00	18.00	16.55
20	19.00	22.00	20.55



Recommend PCB Layout



XYCO 东莞市轩业电子科技有限公司
TEL: 0769-8297 9981/2/3 <http://www.XYCO.com.cn>

2011-03-15		A	CHANGE HISTORY 變更歷史	KB901-XXXSV6A	Devin	TOLERANCE 公差	DRAWING 設計者	Devin	KB901-XXXSV6A		UNIT 單位		PRODUCT NAME 產品名稱	SHR1.0mm Wire To Board SMT Vertical Wafer
DATE 日期	VER 版本	CHANGED NAME 修改後料號				DRAWING 變更者	.X=±0.30 .XX=±0.20 .XXX=±0.10	CHECKED 審查	Thomas	PART NO. 料號	mm			
APPROVED 核准	William	DWG NO. 圖號				PE2005011A								