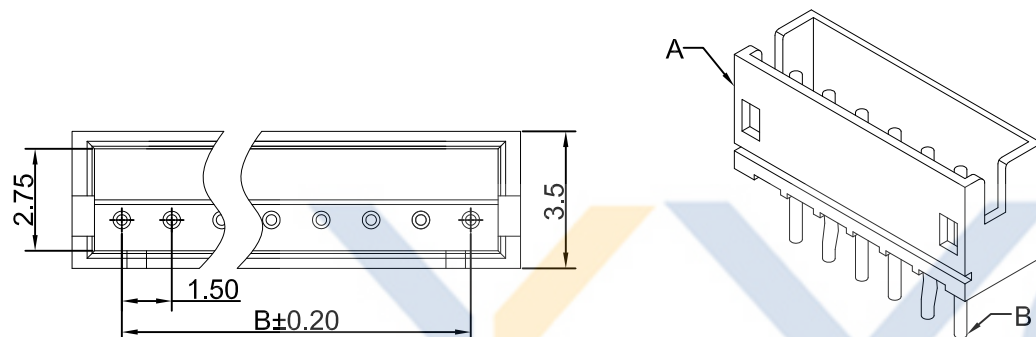


DRAWING FOR CUSTOMER

- SPEC.:
- Rated Voltage:100V AC,DC
 - Rated Current:1A AC,DC
 - Withstand Voltage:500V AC/minute
 - Contact Resistance:20mΩ max
 - Insulation Resistance:500MΩ min
 - Temperature Range:-25℃~+85℃

- Material:
- Insulator(A):PA66 UL94V-0
 - Contact Pin(B):Brass
Finish: Tin plated over Nickel



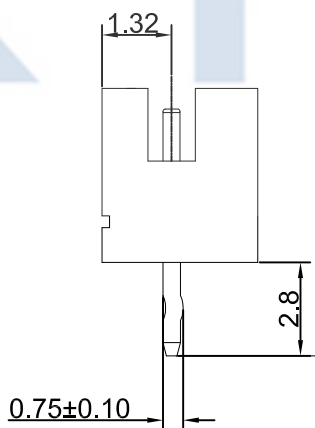
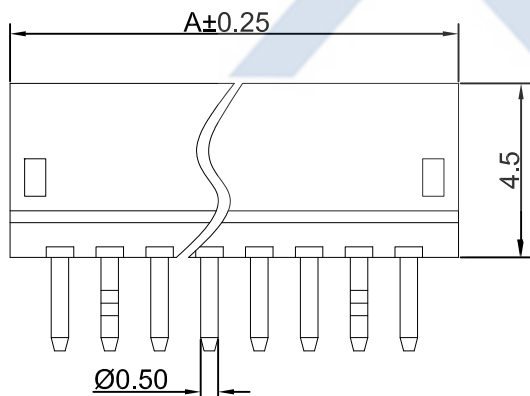
KB924-XX X D V 7 A

Pin No. Version
 Mold No.

包装方式:
T:TUBE (管装)
R:REEL (卷装)
P: PE (袋装)

R:Right Angle
V:Vertical
S:SMT
D:DIP

Poles	Dimensions(mm)	
	A	B
02	4.50	1.50
03	6.00	3.00
04	7.50	4.50
05	9.00	6.00
06	10.50	7.50
07	12.00	9.00
08	13.50	10.50
09	15.00	12.00
10	16.50	13.50
11	18.00	15.00
12	19.50	16.50
13	21.00	18.00



P.C.B LAYOUT

XYCO 东莞市轩业电子科技有限公司
TEL: 0769-8297 9981/2/3 <http://www.XYCO.com.cn>

DATE 日期	VER 版本	CHANGE HISTORY 變更歷史	CHANGED NAME 修改後料號	DRAWING 變更者	TOLERANCE 公差	DRAWING 設計者	Devin	KB924-XXXDV7A
2015-10-09	A		KB924-XXXDV7A	Devin	.X=±0.30 .XX=±0.20 .XXX=±0.10	CHECKED 審查	Thomas	PART NO. 料號
						APPROVED 核准	William	DWG NO. 圖號

UNIT 單位	mm	PRODUCT NAME 產品名稱
		ZH PH1.5mm Wire To Board Dip Vertical Wafer