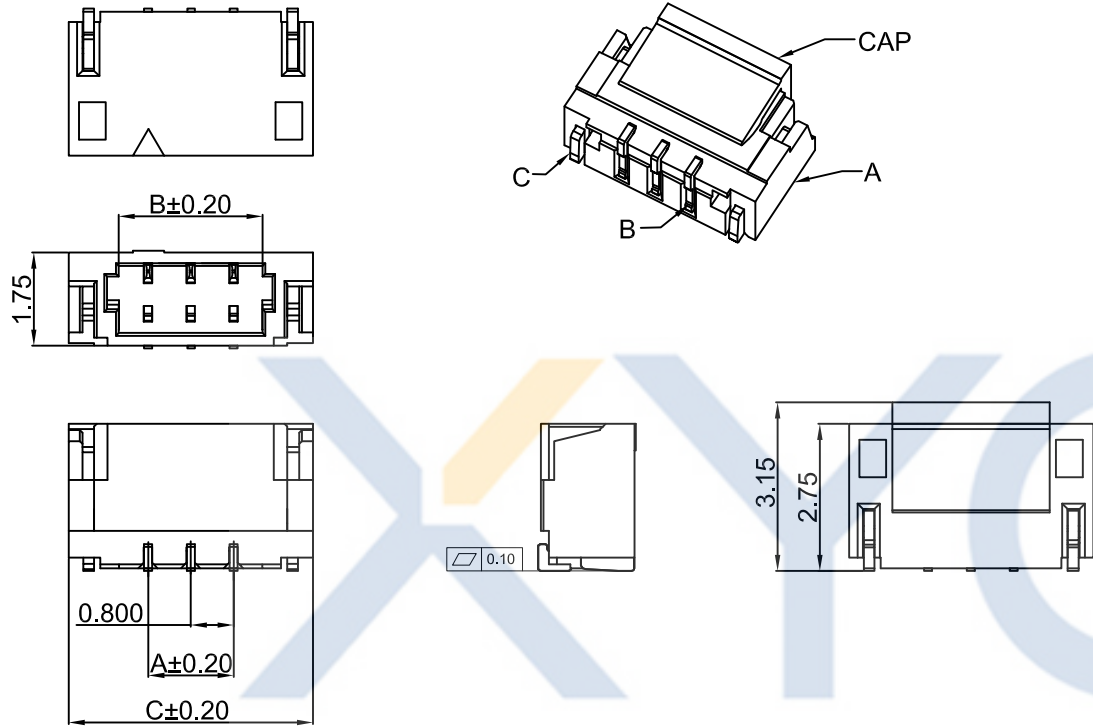


# DRAWING FOR CUSTOMER

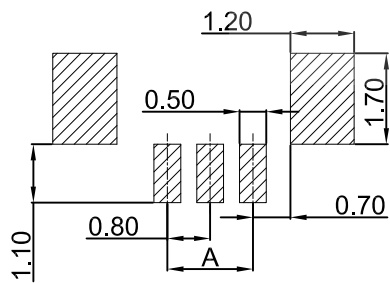


## ■SPEC.:

- Rated Voltage:30V AC,DC
- Rated Current:0.5A AC,DC
- Withstand Voltage:200V AC/minute
- Contact Resistance:20mΩ max
- Insulation Resistance:100MΩ min
- Temperature Range:-25℃~+85℃

## ■Material:

- Insulator(A):LCP UL94V-0
- Contact Pin(B): Phosphor Bronze  
Finish: Tin/Gold-Plated, over Nickel
- Solder Tab(C): Brass  
Finish: Tin/Gold-Plated, over Nickel



Recommended P.C.B Layout  
General Tolerance±0.05

KB801-XXXSVX2A

Pin No.

P:PE 袋装  
R:REEL 卷装  
T:TUBE 管装  
S:SMT  
D:DIP

Version  
Mold No.

G:Gold Plated  
S:Tin Plated  
R:Right Angle  
V:Verical Angle

Poles	Dimensions(mm)			Poles	Dimensions(mm)		
	A	B	C		A	B	C
02	0.80	1.90	3.78	14	10.40	11.50	13.38
03	1.60	2.70	4.58	15	11.20	12.30	14.18
04	2.40	3.50	5.38	16	12.00	13.10	14.98
05	3.20	4.30	6.18	17	12.80	13.90	15.78
06	4.00	5.10	6.98	18	13.60	14.70	16.58
07	4.80	5.90	7.78	19	14.40	15.50	17.38
08	5.60	6.70	8.58	20	15.20	16.30	18.18
09	6.40	7.50	9.38	21	16.00	17.10	18.98
10	7.20	8.30	10.18	22	16.80	17.90	19.78
11	8.00	9.10	10.98	23	17.60	18.70	20.58
12	8.80	9.90	11.78	24	18.40	19.50	21.38
13	9.60	10.70	12.58				

**XYCO** 东莞市轩业电子科技有限公司  
TEL: 0769-8297 9981/2/3 http://www.XYCO.com.cn

2016-11-30		A	CHANGE HISTORY 變更歷史	KB801-XXXSVX2A	Devin	TOLERANCE 公差	DRAWING 設計者	Devin	KB801-XXXSVX2A		UNIT 單位		PRODUCT NAME 產品名稱	SURS PH0.8mm Wire To Board SMT Verical Wafer
DATE 日期	VER 版本	CHANGED NAME 修改後料號				DRAWING 變更者	.X=±0.30 .XX=±0.20 .XXX=±0.10	CHECKED 審查	Thomas	PART NO. 料號	mm	DWG NO. 圖號		
1	2	3	4	5	6	7	8	9					10	11