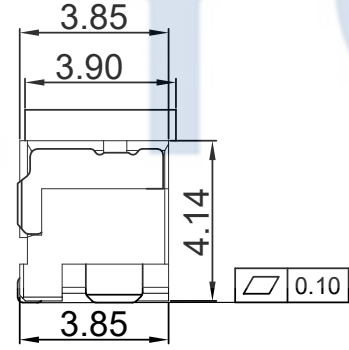
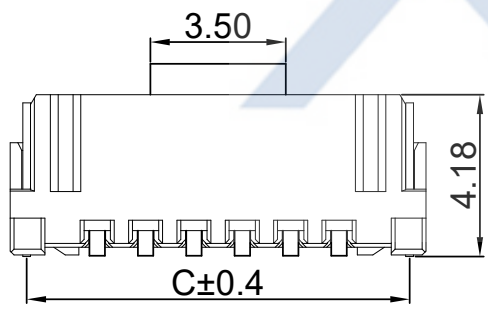


Recommended P.C.B Layout
General Tolerance±0.05



- SPEC.:
- Voltage Rating:50V AC/DC
 - Current Rating:1.5A AC/DC
 - Dielectric Strength :500V AC/minute
 - Contact Resistance:20mΩ max
 - Insulation Resistance:100MΩ min
 - Temperature Range:-25°C ~+85°C

- Material :
- Insulator(A): C1-LCP&P3-PA6T UL94V-0
Color:BGE-Beige;BK-Black
 - Contact PIN(B): Phosphor Bronze
Finish:Gold/Tin-Plated,over Nickel
 - Solder Tab(C):Brass
Finish:Tin-Plated,over Nickel
 - QTY.:1.2KPCS/Reel

XY12501-XX X S V 2 A -XX- XX

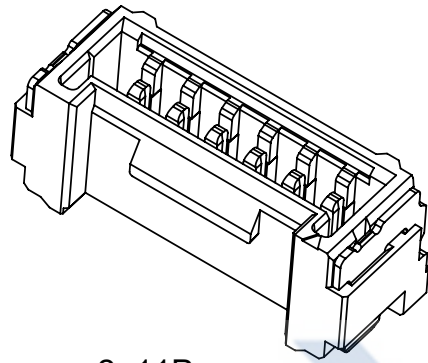
Poles	Dimensions (mm)		
	A	B	C
02	1.25	5.75	4.90
03	2.50	7.00	6.15
04	3.75	8.25	7.40
05	5.00	9.50	8.65
06	6.25	10.75	9.90
07	7.50	12.00	11.15
08	8.75	13.25	12.40
09	10.00	14.50	13.65
10	11.25	15.75	14.90
11	12.50	17.00	16.15
12	13.75	18.25	17.40
13	15.00	19.50	18.65
14	16.25	20.75	19.90
15	17.50	22.00	21.15
16	18.75	23.25	22.40

Pin No. Color
 包装方式: Material
 T:TUBE (管装) Version
 R:REEL (卷装) Mold No.
 P: PE (袋装) R:Right Angle
 S:SMT V:Vertical
 D:DIP

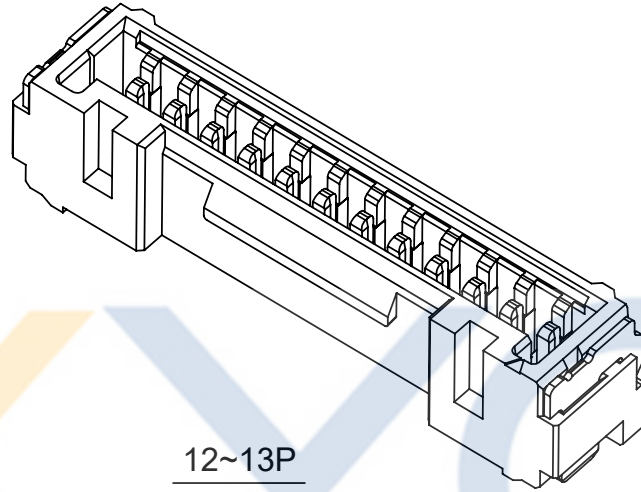
2021-05-16	A		XY12501-XXXSV2A-XX-XX	Devin	TOLERANCE 公差 .X=±0.30 .XX=±0.20 .XXX=±0.10	DRAWING 設計者 CHECKED 審查 APPROVED 核准 Devin Thomas William	XY12501-XXXSV2A-XX-XX
DATE 日期	VER 版本	CHANGE HISTORY 變更歷史	CHANGED NAME 修改後料號	DRAWING 變更者			PART NO. 料號
							DWG NO. 圖號 PE210504A

UNIT 單位	mm	PRODUCT NAME 產品名稱	505568 PH1.00mm Wire To Board SMT Vertical Wafer
---------	----	-------------------	--

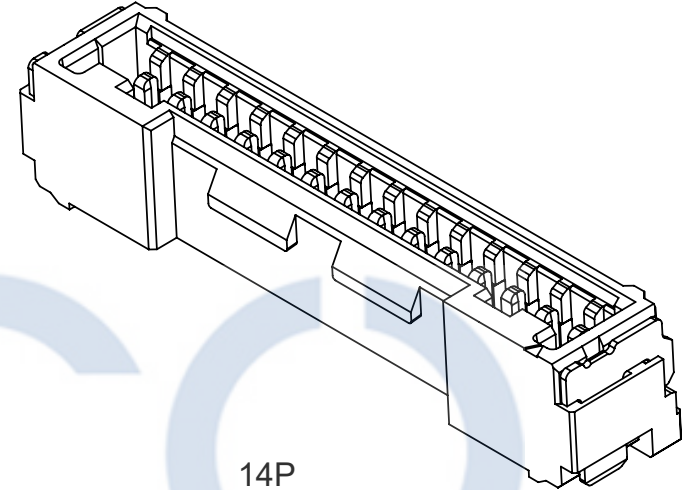
DRAWING FOR CUSTOMER



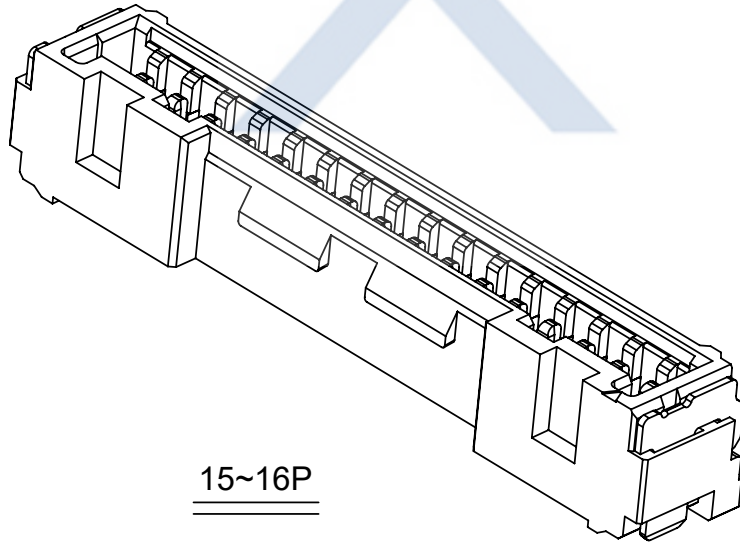
2~11P



12~13P



14P



15~16P

Precision Connectors

XYCO 东莞市轩业电子科技有限公司
 TEL: 0769-8297 9981/2/3 <http://www.XYCO.com.cn>

					TOLERANCE 公差	DRAWING 設計者	Devin	XY12501-XXXSV2A-XX-XX				
2021-05-16	A	/	XY12501-XXXSV2A-XX-XX	Devin	.X=±0.30	CHECKED 審查	Thomas	PART NO. 料號				
DATE 日期	VER 版本				CHANGE HISTORY 變更歷史	CHANGED NAME 修改後料號	DRAWING 變更者	.XX=±0.20	APPROVED 核准	William	DWG NO. 圖號	PE210504A
								.XXX=±0.10				

UNIT 單位	mm	PRODUCT NAME 產品名稱	505568 PH1.00mm Wire To Board SMT Vertical Wafer
------------	----	----------------------	---