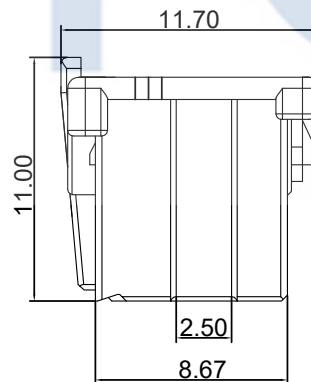
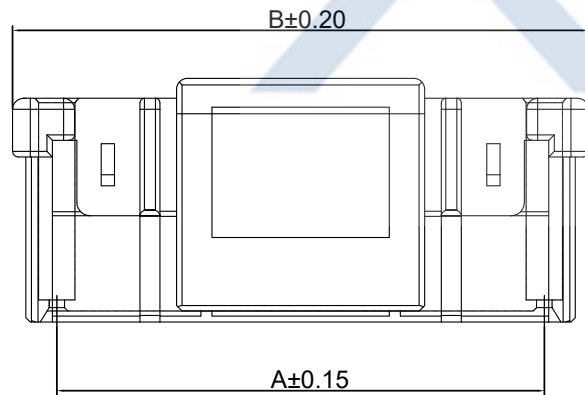
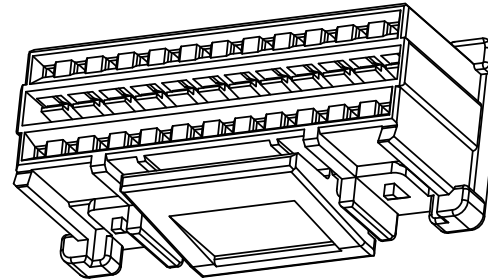
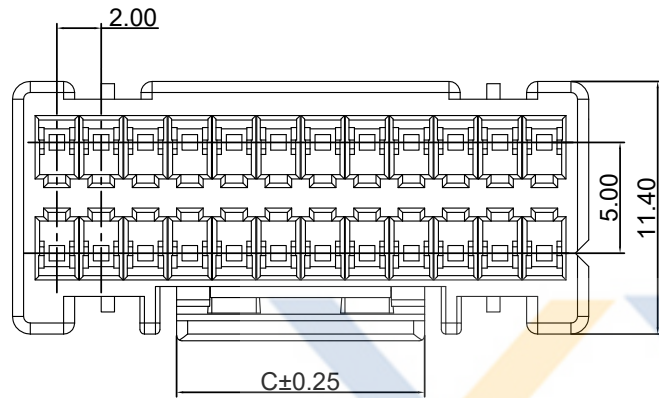


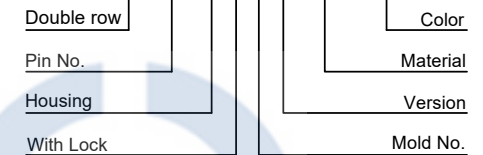
DRAWING FOR CUSTOMER



- SPEC.:
- Rated Voltage:250V AC,DC
 - Rated Current:3A AC,DC
 - Withstand Voltage:800V AC/minute
 - Contact Resistance:10mΩ max
 - Insulation Resistance:1000MΩ min
 - Temperature Range:-25℃~+85℃

- Material:
- Insulator:B1-PA66 UL94V-0
NB1-PA66 UL94V-0 HF
 - Color:WH-White;GR-Grey

XY20007-D X X H L 2 A -B1 -GR



Poles	Dimensions(mm)		
	A	B	C
2X04	6.00	10.00	4.80
2X05	8.00	12.00	4.80
2X06	10.00	14.00	4.80
2X07	12.00	16.00	4.80
2X08	14.00	18.00	4.80
2X09	16.00	20.00	4.80
2X10	18.00	22.00	11.20
2X11	20.00	24.00	11.20
2X12	22.00	26.00	11.20
2X13	24.00	28.00	11.20
2X14	26.00	30.00	11.20
2X15	28.00	32.00	11.20
2X16	30.00	34.00	15.20
2X17	32.00	36.00	15.20
2X18	34.00	38.00	15.20
2X19	36.00	40.00	15.20
2X20	38.00	42.00	15.20

2022-07-18	A		XY20007-DXXHL2A-B1-GR	Devin	TOLERANCE 公差	DRAWING 設計者	Devin	XY20007-DXXHL2A-B1-GR	
DATE 日期	VER 版本	CHANGE HISTORY 變更歷史	CHANGED NAME 修改後料號	DRAWING 變更者	.X=±0.30 .XX=±0.20 .XXX=±0.10	CHECKED 審查	Thomas	PART NO. 料號	UNIT 單位
						APPROVED 核准	William	DWG NO. 圖號	mm
								PE220701A	PRODUCT NAME 產品名稱

XYCO 东莞市轩业电子科技有限公司
TEL: 0769-8297 9981/2/3 <http://www.XYCO.com.cn>

PND PH2.00mm Wire To Board
Double Row Housing With Lock