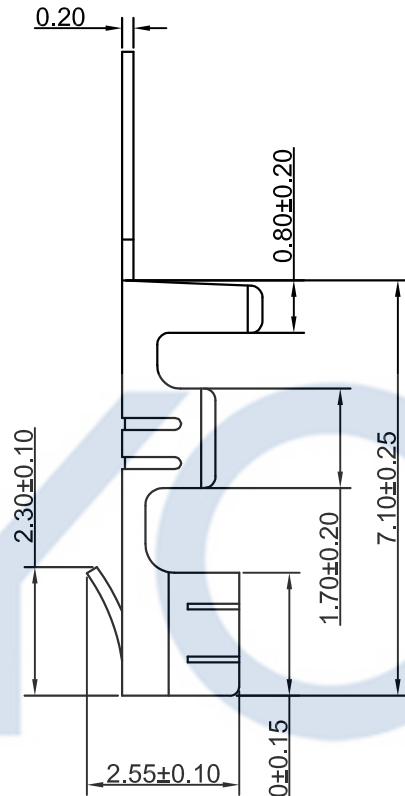
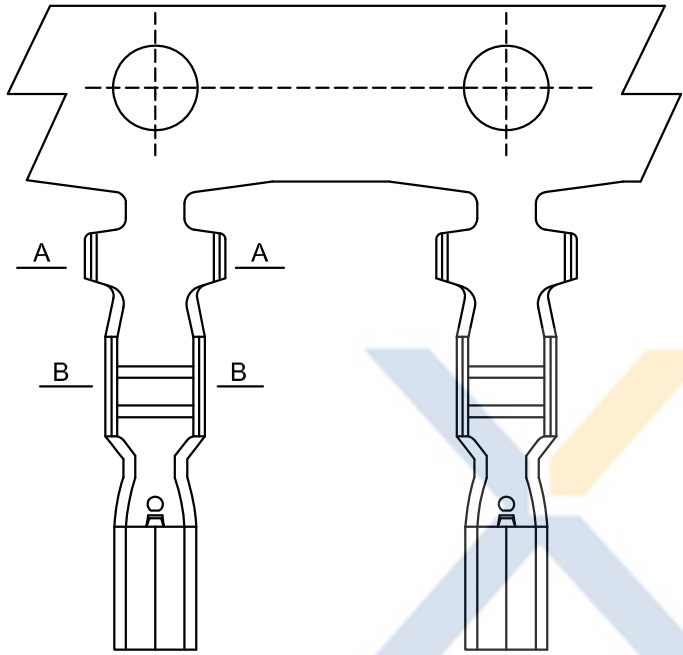


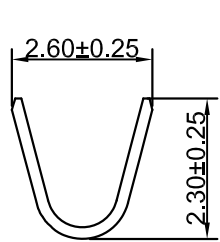
DRAWING FOR CUSTOMER



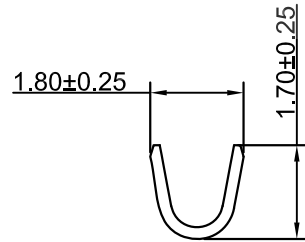
- SPEC.:
- Rated Voltage:250V AC,DC
- Rated Current:3A AC,DC
- Withstand Voltage:1000V AC/minute
- Contact Resistance:20mΩ max
- Insulation Resistance:1000MΩ min
- Temperature Range:-25℃~+85℃
- Terminal
- Material:Phosphor Bronze
- Finish:Tin-plated,over Nickel
- Applicable wire:AWG#22~28

KB943-XXT2A

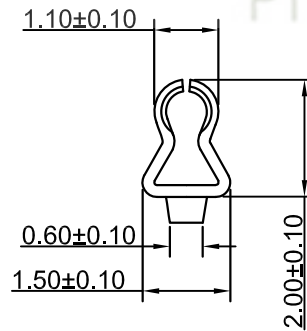
- 1:All plated
 - 2:Half plated
- Plating
- 0: Tin-plat
 - 1: Gold Plat1u"
 - 2: Gold Plat3u"
 - 3: Gold Plat5u"
- Version
- Mold No.
- Terminal



SEC:A-A



SEC:B-B



XYCO PRECISION CONNECTORS

TEL: 0769-8297 9981/2/3 <http://www.XYCO.com.cn>

2015-08-18	A		KB943-XXT2A	Devin
DATE 日期	VER 版本	CHANGE HISTORY 變更歷史	CHANGED NAME 修改後料號	DRAWING 變更者

TOLERANCE 公差	DRAWING 設計者	Devin
.X=±0.30	CHECKED 審查	Thomas
.XX=±0.20	APPROVED 核准	William
.XXX=±0.10		

KB943-XXT2A	
PART NO. 料號	
DWG NO. 圖號	PE190507A

UNIT 單位	mm
PRODUCT NAME 產品名稱	

5264 PH2.5mm Wire To Board Terminal
