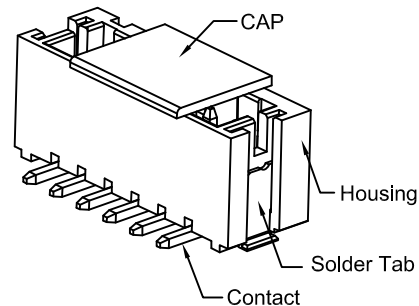
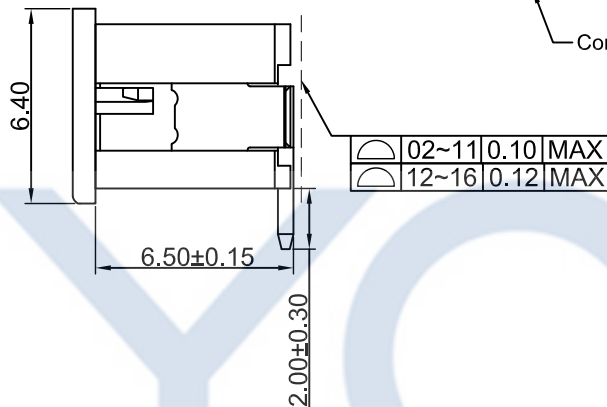
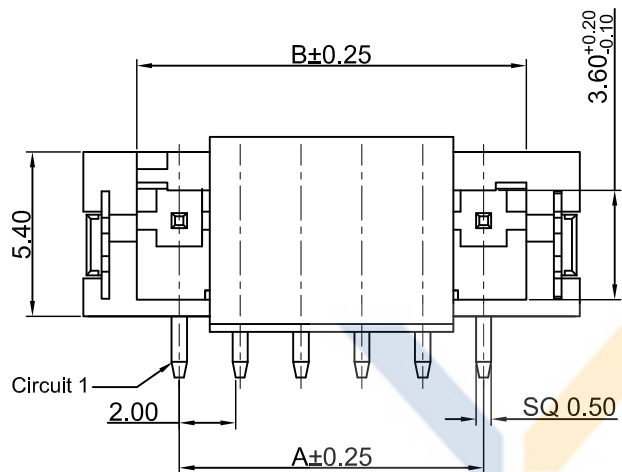
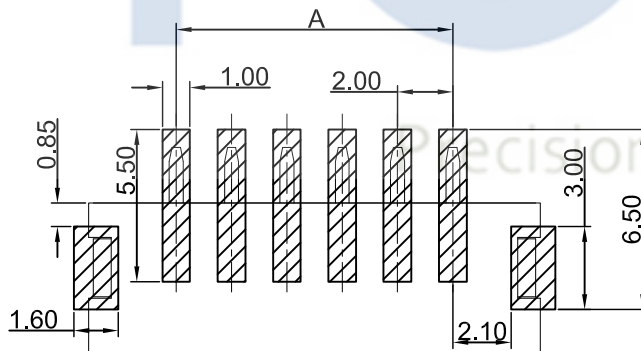
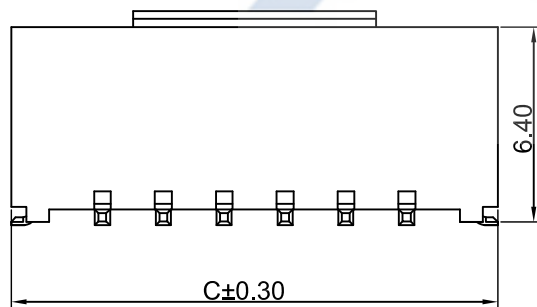
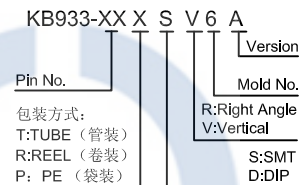


# DRAWING FOR CUSTOMER



- SPEC.:
- Rated Voltage: 250V AC,DC
  - Rated Current: 2.0A AC,DC
  - Withstand Voltage: 1000V AC/minute
  - Contact Resistance: 20mΩ max
  - Insulation Resistance: 1000MΩ min
  - Temperature Range: -25°C~+105°C

- Material:
- Housing: LCP/PA9T, UL94V-0
  - Color:Natural
  - CAP:LCP,UL94V-0
  - Color:Natural
  - Contact Pin:Brass
  - Finish:Matted Sn-Plated,Over Nickel
  - Solder Tab:Phosphor Bronze
  - Finish:Matted Sn-Plated,Over Nickel



SUGGESTED PCB LAYOUT

Poles	Dimensions(mm)		
	A	B	C
02	2.00	4.80	8.00
03	4.00	6.80	10.00
04	6.00	8.80	12.00
05	8.00	10.80	14.00
06	10.00	12.80	16.00
07	12.00	14.80	18.00
08	14.00	16.80	20.00
09	16.00	18.80	22.00
10	18.00	20.80	24.00
11	20.00	22.80	26.00
12	22.00	24.80	28.00
13	24.00	26.80	30.00
14	26.00	28.80	32.00
15	28.00	30.80	34.00
16	30.00	32.80	36.00

**XYCO** 东莞市轩业电子科技有限公司  
TEL: 0769-8297 9981/2/3 http://www.XYCO.com.cn

DATE 日期	VER 版本	CHANGE HISTORY 變更歷史	CHANGED NAME 修改後料號	DRAWING 變更者	TOLERANCE 公差	DRAWING 設計者	Devin	KB933-XXXSV6A
2017-07-10	A		KB933-XXXSV6A	Devin	.X=±0.30 .XX=±0.20 .XXX=±0.10	CHECKED 審查	Thomas	PART NO. 料號
						APPROVED 核准	William	DWG NO. 圖號 PE211205A

UNIT 單位	mm	PRODUCT NAME 產品名稱	PHR PH2.0mm Wire To Board SMT Vertical Wafer