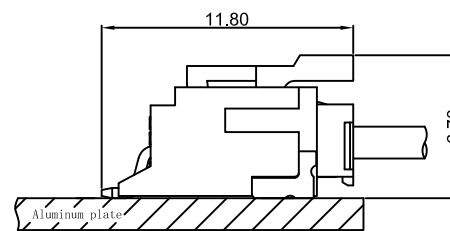
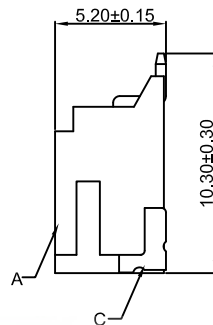
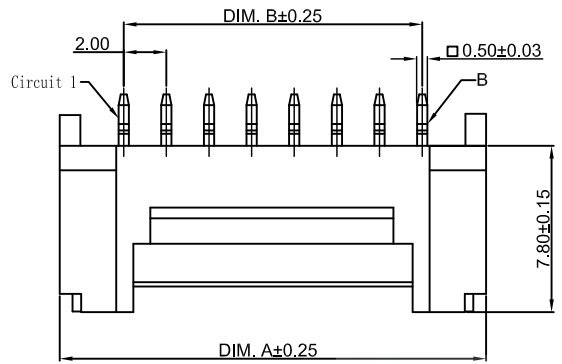
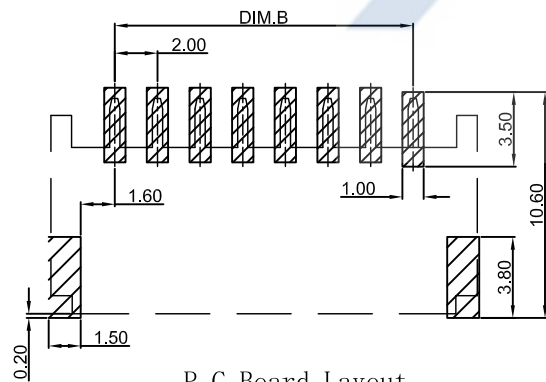
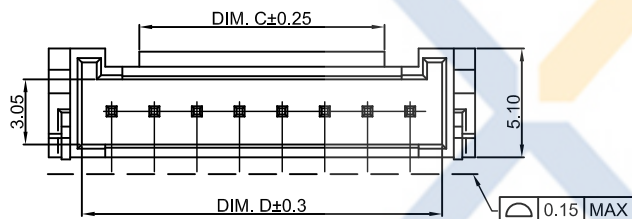
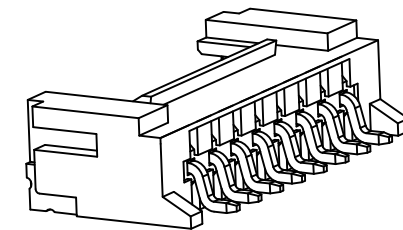


DRAWING FOR CUSTOMER



Assembly Layout



P. C. Board Layout

General Tolerance: ± 0.05

■SPEC.:

- Rated Voltage:250V AC,DC
- Rated Current:2A AC,DC
- Withstand Voltage:1000V AC/minute
- Contact Resistance:20mΩ max
- Insulation Resistance:1000MΩ min
- Temperature Range:-25°C~+85°C

■Material:

- Insulator(A):LCP UL94V-0
- Contact Pin(B): Brass
Finish: Tin plated;over Nickel
- Solder Tab(C):Brass
Finish: Tin plated;over Nickel

KB935-XX X S R 6 A
Version

Pin No. Mold No.

包裝方式:
T:TUBE (管裝)
R:REEL (卷裝)
P: PE (袋裝)

R:Right Angle
V:Vertical
S:SMT
D:DIP

Poles	Dimensions (mm)			
	A	B	C	D
02	8.00	2.00	2.70	4.75
03	10.00	4.00	3.20	6.75
04	12.00	6.00	3.50	8.90
05	14.00	8.00	5.50	10.90
06	16.00	10.00	7.50	12.90
07	18.00	12.00	9.50	14.90
08	20.00	14.00	11.50	16.90
09	22.00	16.00	13.50	18.90
10	24.00	18.00	15.50	20.90
11	26.00	20.00	15.50	22.90
12	28.00	22.00	15.50	24.90
13	30.00	24.00	15.50	26.90
14	32.00	26.00	15.50	28.90
15	34.00	28.00	15.50	30.90
16	36.00	30.00	15.50	32.90

XYCO 东莞市轩业电子科技有限公司
TEL: 0769-8297 9981/2/3 <http://www.XYCO.com.cn>

2015-11-30		A	CHANGE HISTORY 變更歷史	KB935-XXXSR6A	Devin	TOLERANCE 公差	DRAWING 設計者	Devin	KB935-XXXSR6A		UNIT 單位		PRODUCT NAME 產品名稱	PHS PH2.0mm Wire To Board SMT Right Angle Wafer
DATE 日期	VER 版本	CHANGED NAME 修改後料號				DRAWING 變更者	.X=±0.30 .XX=±0.20 .XXX=±0.10	CHECKED 審查	Thomas	PART NO. 料號	mm			
APPROVED 核准	William	DWG NO. 圖號				PE1901003A	Symbol							