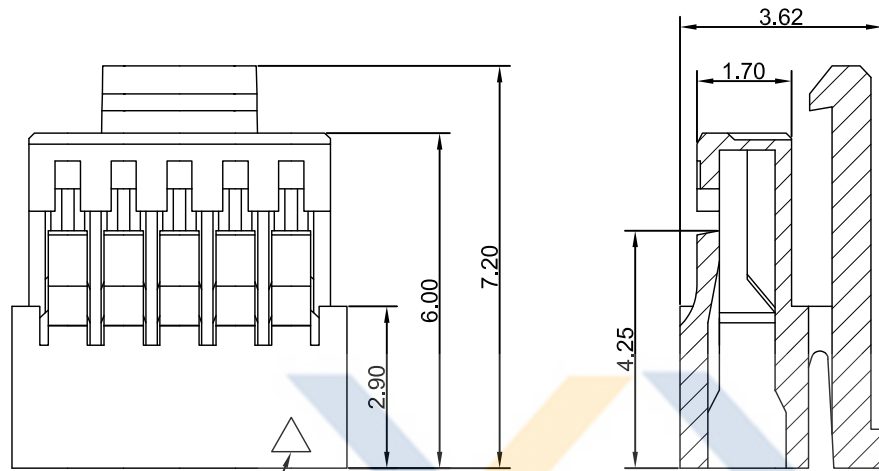
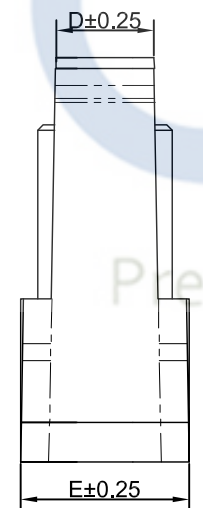
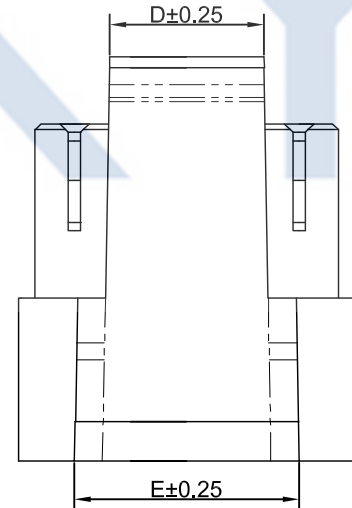
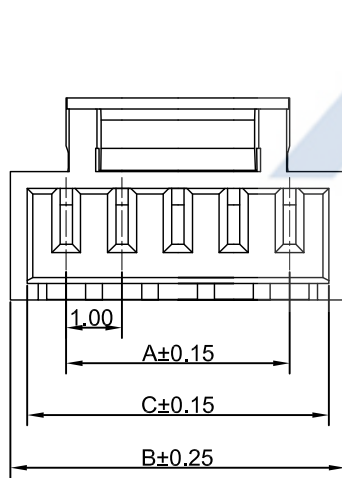


DRAWING FOR CUSTOMER



Circuit 1



03~20P

02P

■SPEC.:

- Voltage Rating: 50V AC/ DC
- Current Rating: 1A AC/ DC
- Withstanding Voltage: 500V AC/Minute
- Contact Resistance: 20mΩ max
- Insulation Resistance: 100MΩ min
- Temperature Range: -25°C~+85°C

■Material:

- Insulator: PA66 UL94V-0
- Color: White

KB9902- XX H L 2 X



Poles	Dimensions (mm)				
	A	B	C	D	E
02	1.00	3.00	2.40	1.75	3.00
03	2.00	4.00	3.40	2.75	4.00
04	3.00	5.00	4.40	2.75	4.00
05	4.00	6.00	5.40	2.75	4.00
06	5.00	7.00	6.40	2.75	4.00
07	6.00	8.00	7.40	2.75	4.00
08	7.00	9.00	8.40	2.75	4.00
09	8.00	10.00	9.40	2.75	4.00
10	9.00	11.00	10.40	2.75	4.00
11	10.00	12.00	11.40	2.75	4.00
12	11.00	13.00	12.40	2.75	4.00
13	12.00	14.00	13.40	2.75	4.00
14	13.00	15.00	14.40	2.75	4.00
15	14.00	16.00	15.40	2.75	4.00
16	15.00	17.00	16.40	2.75	4.00
17	16.00	18.00	17.40	2.75	4.00
18	17.00	19.00	18.40	2.75	4.00
19	18.00	20.00	19.40	2.75	4.00
20	19.00	21.00	20.40	2.75	4.00

KB9902-12HL2A ▲
宽扣KB9902-12HL2B ▲

XYCO 东莞市轩业电子科技有限公司
TEL: 0769-8297 9981/2/3 http://www.XYCO.com.cn

A	2013-05-21	A	CHANGE HISTORY	CHANGED NAME	DRAWING	TOLERANCE 公差	DRAWING 設計者	Devin	KB9902-XXHL2X		UNIT 單位	mm	PRODUCT NAME 產品名稱	NH PH1.00mm Wire To Board Housing With Lock	
	DATE 日期	VER 版本	變更歷史	修改後料號	變更者	.X=±0.30 .XX=±0.20 .XXX=±0.10	CHECKED 審查	Thomas	PART NO. 料號	DWG NO. 圖號	PE2108A				
1	2	3	4	5	6	7	8	9	1	2	3	4	5	6	7