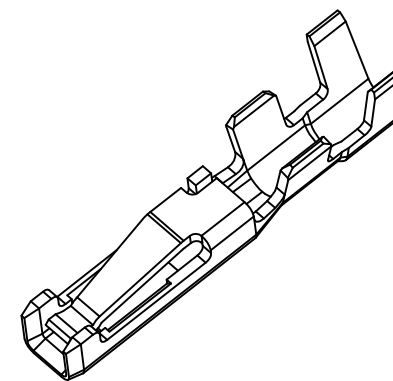
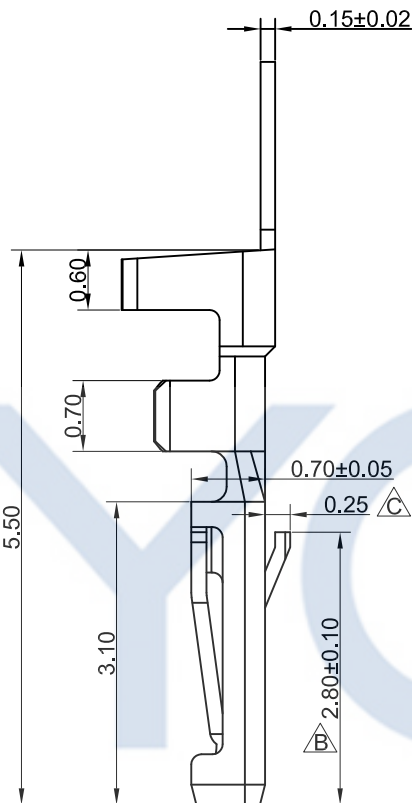
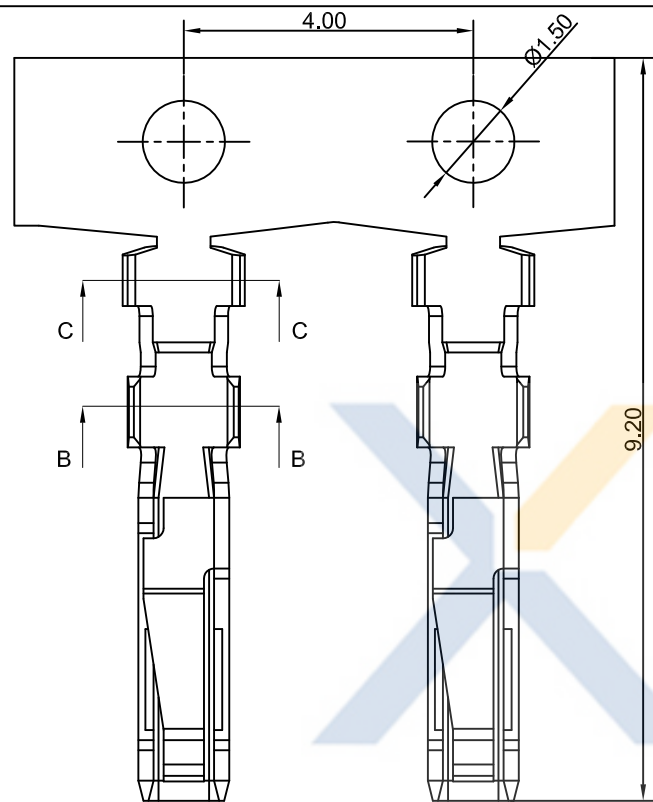


DRAWING FOR CUSTOMER

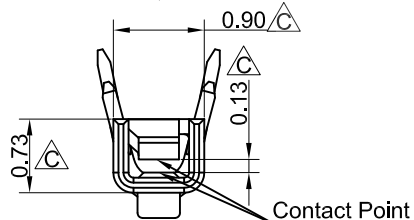


- SPEC.:
- Rated Voltage:125V AC,DC
 - Rated Current:1A AC,DC
 - Withstand Voltage:250V AC/minute
 - Contact Resistance:20mΩ max
 - Insulation Resistance:100MΩ min
 - Temperature Range:-25℃~+85℃

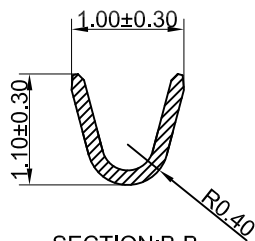
- Terminal:
- Material:Phosphor Bronze
 - Finish:Gold-plated ,over Nickel
 - Applicable wire:AWG#28~32
 - QTY.:15KPCS/Reel

KB916-XXT1C

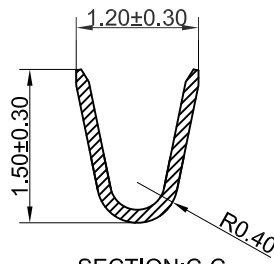
- 1:All plated
2:Half plated
- Plating
0: Tin-plated
1: Gold Plated1u"
2: Gold Plated3u"
3: Gold Plated5u"
- Version
Mold No.
Terminal



SECTION:A-A



SECTION:B-B



SECTION:C-C

2017-03-04	C	优化尺寸	KB916-XXT1C	Devin
2016-10-18	B	变更尺寸公差	KB916-XXT1B	Devin
2015-12-21	A		KB916-XXT1A	Devin
DATE 日期	VER 版本	CHANGE HISTORY 变更历史	CHANGED NAME 修改后料号	DRAWING 变更者

TOLERANCE 公差	DRAWING 设计者	Devin	KB916-XXT1C	
.X=±0.30 .XX=±0.20 .XXX=±0.10	CHECKED 审查	Thomas	PART NO. 料号	
	APPROVED 核准	William	DWG NO. 图号	PE3205A

XYCO 东莞市轩业电子科技有限公司		TEL: 0769-8297 9981/2/3 http://www.XYCO.com.cn	
UNIT 单位	mm	PRODUCT NAME 产品名称	MOLEX51146 PH1.25mm Wire To Board Terminal