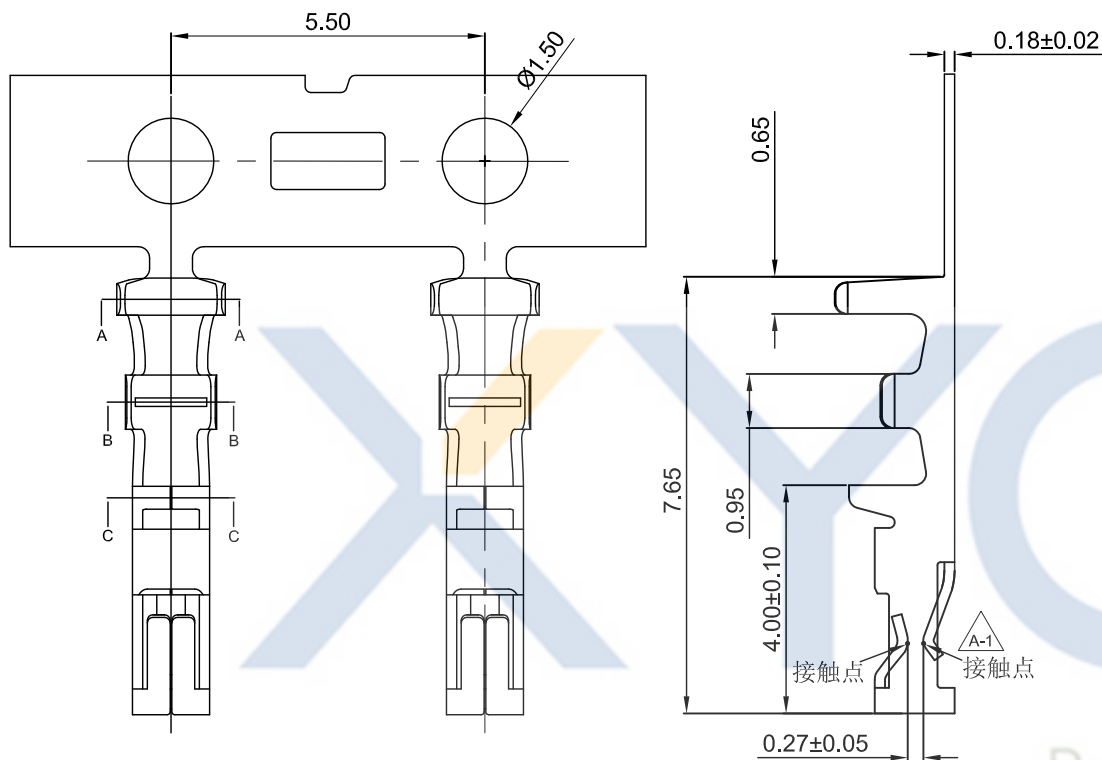


DRAWING FOR CUSTOMER



- SPEC.:
- Rated Voltage:250V AC,DC
 - Rated Current:3A AC,DC
 - Withstand Voltage:1000V AC/minute
 - Contact Resistance:40mΩ max
 - Insulation Resistance:100MΩ min
 - Temperature Range:-25℃~+85℃

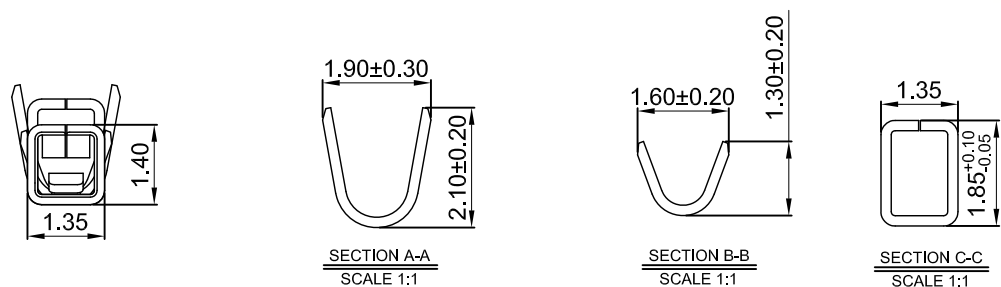
- Terminal
- Material:Phosphor Bronze
 - Finish:Tin-plated,over Nickel
 - Applicable wire:AWG#24~30
 - QTY.:12KPCS/Reel

KB9310-XXT1A

1:All plated
2:Half plated

Plating
0:Tin-plat
1:Gold Plat1U"
2:Gold Plat3U"
3:Gold Plat5U"
10:Gold Plat10U"
15:Gold Plat15U"

Version
Mold No.
Terminal



XYCO 东莞市轩业电子科技有限公司
TEL: 0769-8297 9981/2/3 http://www.XYCO.com.cn

2017-04-17	A-1	夹口凸点调整为垂直 A-1	KB9310-XXT1A	Devin	TOLERANCE 公差	DRAWING 設計者	Devin	KB9310-XXT1A	
2016-05-27	A		KB9310-XXT1A	Devin	.X=±0.30 .XX=±0.20 .XXX=±0.10	CHECKED 審查	Thomas	PART NO. 料號	
DATE 日期	VER 版本	CHANGE HISTORY 變更歷史	CHANGED NAME 修改後料號	DRAWING 變更者		APPROVED 核准	William	DWG NO. 圖號	PE2108A

UNIT	mm	PRODUCT NAME 產品名稱	PH2.0mm Wire To Board PH2.0 Terminal
------	----	----------------------	---