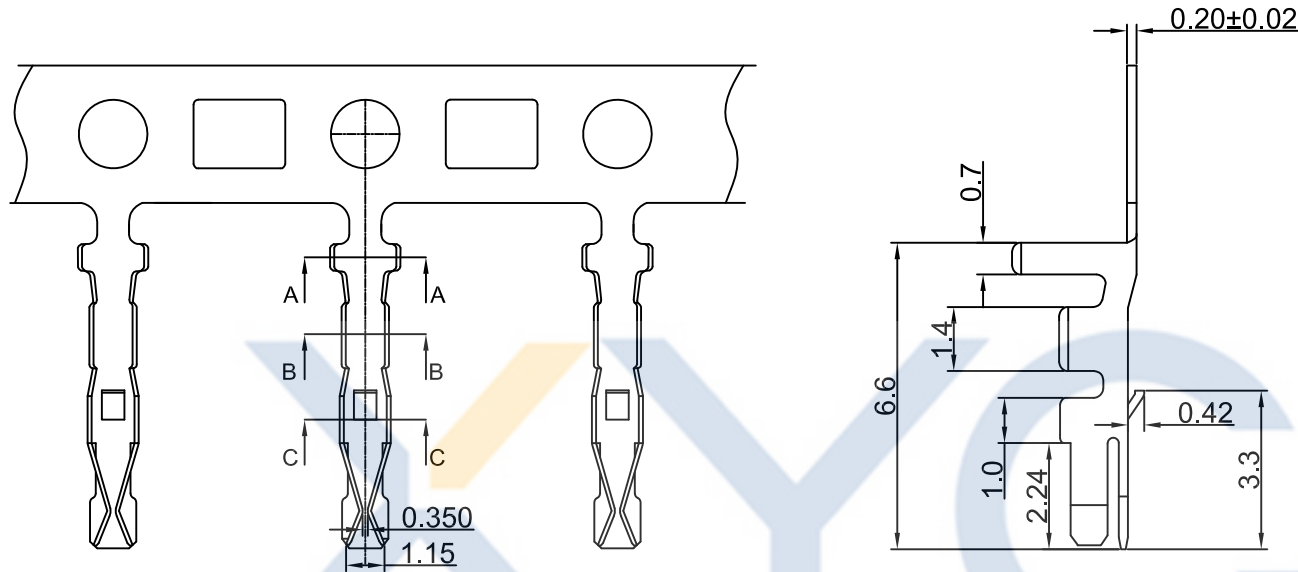


DRAWING FOR CUSTOMER



- SPEC.:
- Rated Voltage:250V AC,DC
 - Rated Current:3.0A AC,DC
 - Withstand Voltage:800V AC/minute
 - Contact Resistance:20mΩ max
 - Insulation Resistance:1000MΩ min
 - Temperature Range:-25℃~+85℃

- Terminal:
- Material:Phosphor Bronze C5191
 - Finish:Tin-plated,over Nickel
 - Applicable wire:AWG#24~30

KB934-XX T 6 A

- 1:All plated
2:Half plated

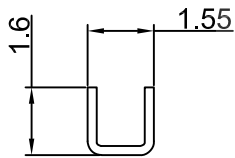
Plating

- 0: Tin-plat
1: Gold Plat1 u"
2: Gold Plat3 u"
3: Gold Plat5 u"

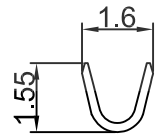
Version

Mold No.

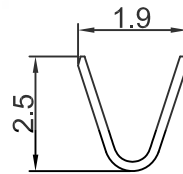
Terminal



SECTION C-C



SECTION B-B



SECTION A-A

Precision Connectors

XYCO 东莞市轩业电子科技有限公司
TEL: 0769-8297 9981/2/3 <http://www.XYCO.com.cn>

2016-07-05		A	CHANGE HISTORY 變更歷史	KB934-XXT6A	Devin	TOLERANCE 公差	DRAWING 設計者	Devin	KB934-XXT6A		UNIT 單位	mm	PRODUCT NAME 產品名稱	PA PH2.0mm Wire To Board Terminal
DATE 日期	VER 版本	.X=±0.30 .XX=±0.20 .XXX=±0.10				CHECKED 審查	Thomas	PART NO. 料號						
						APPROVED 核准	William	DWG NO. 圖號	PE211002A					