

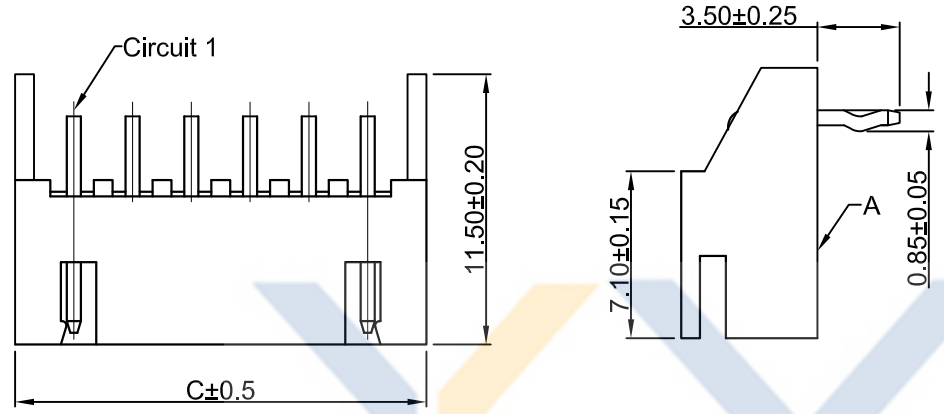
DRAWING FOR CUSTOMER

KB952-XX X D R 6 A

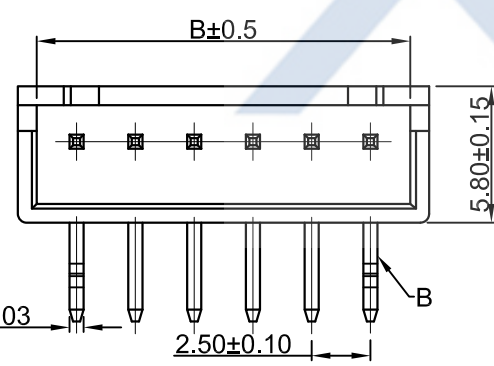
Pin No. Version
 包裝方式: Mold No.

T:TUBE (管裝)
 R:REEL (卷裝)
 P: PE (袋裝)

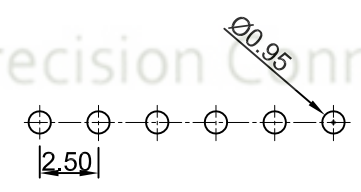
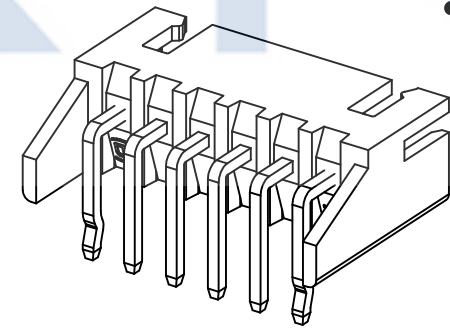
R:Right Angle
 V:Vertical
 S:SMT
 D:DIP



- SPEC.:
- Rated Voltage:250V AC,DC
 - Rated Current:3A AC,DC
 - Withstand Voltage:1000V AC/minute
 - Contact Resistance:20mΩ max
 - Insulation Resistance:1000MΩ min
 - Temperature Range:-25℃~+85℃



- Material:
- Insulator(A):Nylon66 UL94V-0
 - Contact Pin(B):Brass
- Finish: Tin plated;over Nickel



P.C.Board Layout

Poles	Dimensions (mm)		
	A	B	C
02	2.50	6.00	7.50
03	5.00	8.50	10.00
04	7.50	11.00	12.50
05	10.00	13.50	15.00
06	12.50	16.00	17.50
07	15.00	18.50	20.00
08	17.50	21.00	22.50
09	20.00	23.50	25.00
10	22.50	26.00	27.50
11	25.00	28.50	30.00
12	27.50	31.00	32.50
13	30.00	33.50	35.00
14	32.50	36.00	37.50
15	35.00	38.50	40.00
16	37.50	41.00	42.50
17	40.00	43.50	45.00
18	42.50	46.00	47.50

2016-11-18		A	CHANGE HISTORY 變更歷史	KB952-XXXDR6A	Devin	TOLERANCE 公差	DRAWING 設計者	Devin	KB952-XXXDR6A			
DATE 日期	VER 版本	CHANGED NAME 修改後料號				DRAWING 變更者	.X=±0.30 .XX=±0.20 .XXX=±0.10	CHECKED 審查	Thomas	PART NO. 料號	UNIT 單位	mm
								APPROVED 核准	William	DWG NO. 圖號	PE1712016A	PRODUCT NAME 產品名稱

XYCO 东莞市轩业电子科技有限公司
 TEL: 0769-8297 9981/2/3 http://www.XYCO.com.cn