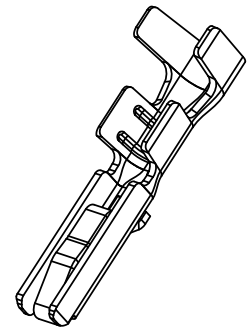
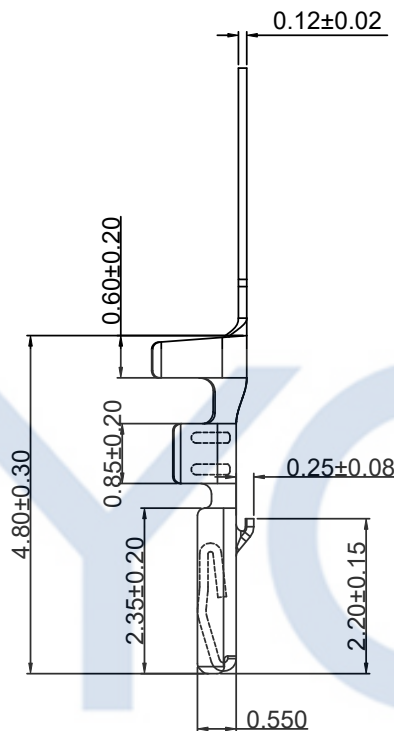
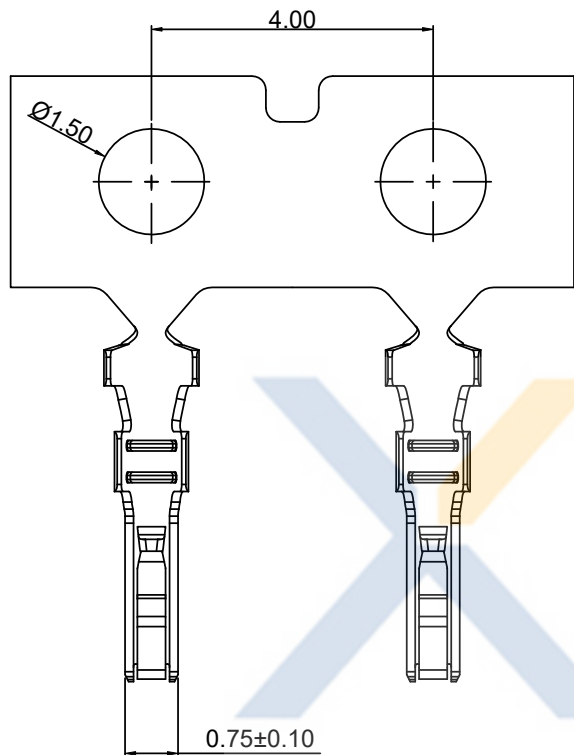
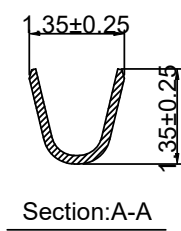
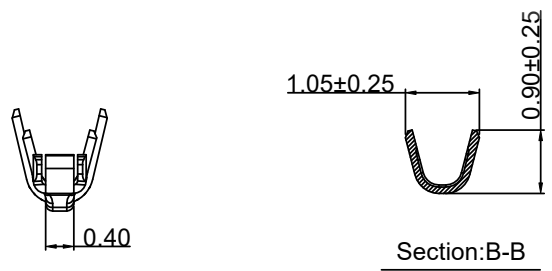


DRAWING FOR CUSTOMER



- SPEC.:
- Rated Voltage:50V AC,DC
 - Rated Current:1A AC,DC
 - Withstand Voltage:500V AC/minute
 - Contact Resistance:20mΩ max
 - Insulation Resistance:100MΩ min
 - Temperature Range:-25°C~+85°C

- Terminal
- Material:Phosphor Bronze C5191
 - Finish:Tin-plated,over Nickel
 - Applicable wire:AWG#28~32
 - QTY.:20KPCS/Reel



KB905-XXXT1A

- 1:All plated
 - 2:Half plated
- Plating
- 0: Tin-plat
 - 1: Gold Flash
 - 2: Gold Plated3u"
 - 3: Gold Plated5u"
- Version
- Mold No.
- Terminal

				TOLERANCE 公差		DRAWING 設計者		Devin		KB905-XXXT1A	
2023-11-03		A 新模端子		KB905-XXXT1A		CHECKED 審查		Thomas		PART NO. 料號	
DATE 日期	VER 版本	CHANGE HISTORY 變更歷史	CHANGED NAME 修改後料號	DRAWING 變更者	.X=±0.30 .XX=±0.20 .XXX=±0.10	APPROVED 核准	William	DWG NO. 圖號	PE231105A	UNIT 單位	mm

XYCO 东莞市轩业电子科技有限公司
 TEL: 0769-8297 9981/2/3 <http://www.XYCO.com.cn>

PRODUCT NAME 產品名稱		SHLP PH1.00mm Wire To Board Terminal	
----------------------	--	--------------------------------------	--